

FYM-50cc Cross



2004/05-EL

E-1 CYLINDER HEAD

RC-505

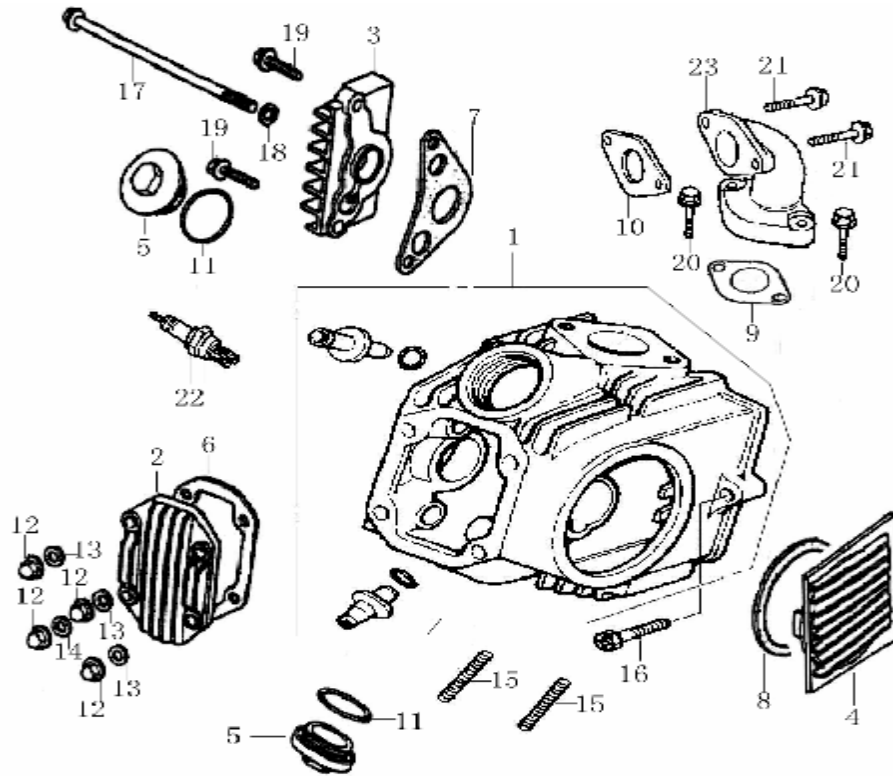


FIG..	PART NO.	DESCRIPTION	Q'TY	REMARKS	FIG..	PART NO.	DESCRIPTION	Q'TY
1	12200-FYBF-000	CYLINDER HEAD ASSY	1		8	12381-FYBF-000	GASKET L COVER	1
2	12310-FYBF-000	CYLINDER HEAD COVER	1		9	17192-FYBF-000	GASKET INLET	1
3	12331-FYBF-000	CYLINDER HEAD COVER(R)	1		10	17191-FYBF-000	GASKET INSULATOR	1
4	12341-FYBF-000	CYLINDER HEAD COVER(L)	1		11	90731-FYBF-000	O-GASKET	2
5	12351-FYBF-000	VAVLE COVER	2		12	90206-FYBF-000	NUT FLANGE 6M	4
6	12361-FYBF-000	GASKET COVER	1		13	90308-FYBF-000	WASHER 6	3
7	12371-FYBF-000	GASKET R COVER	1		14	90308-FYBF-00C	WASHER 6	1

E-1 CYLINDER HEAD

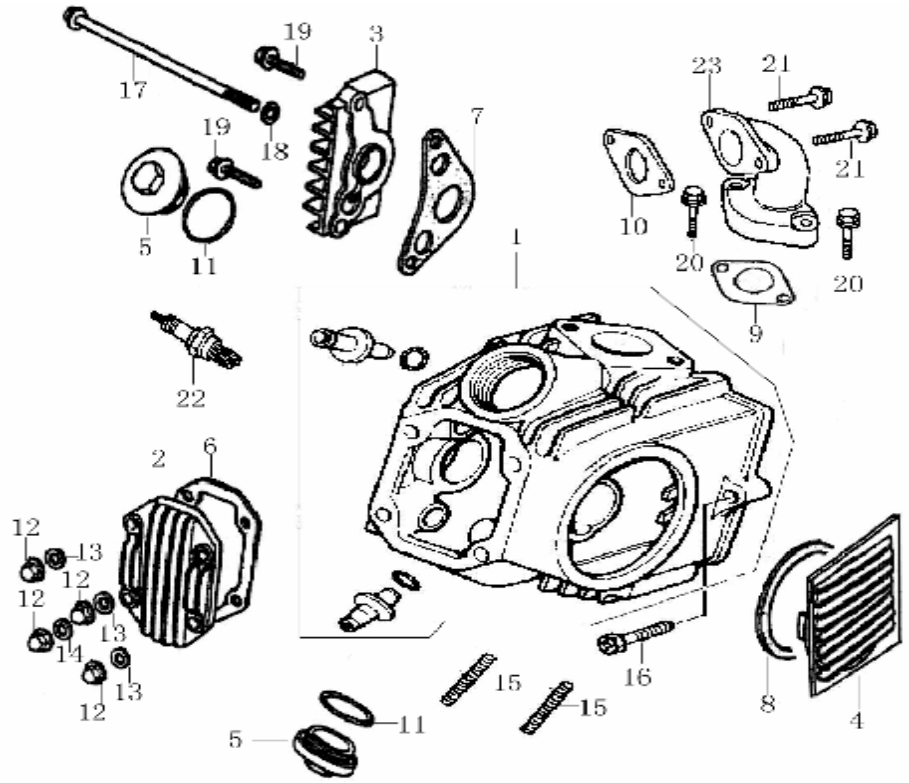


FIG..	PART NO.	DESCRIPTION	Q'TY	REMARKS	FIG..	PART NO.	DESCRIPTION	Q'TY
15	90432-FYBF-000	BOLT STUD	2		22	98060-FYBF-000	IGNITION PLUG	1
16	90122-FYBF-000	BOLT	2		23	17110-FYBF-000	PIPE COMP IN	1
17	90111-FYBF-000	LONG BOLT M6*110	1					
18	90308-FYBF-001	WASHER 6	1					
19	GB5787-86-06020-L	BOLT FLANGE M6*20	2					
20	90125-FYBF-000	BOLT FLANGE M6x25	2					
21	90132-FYBF-000	BOLT FLANGE M6x32	2					

E-2 CYLINDER COMP

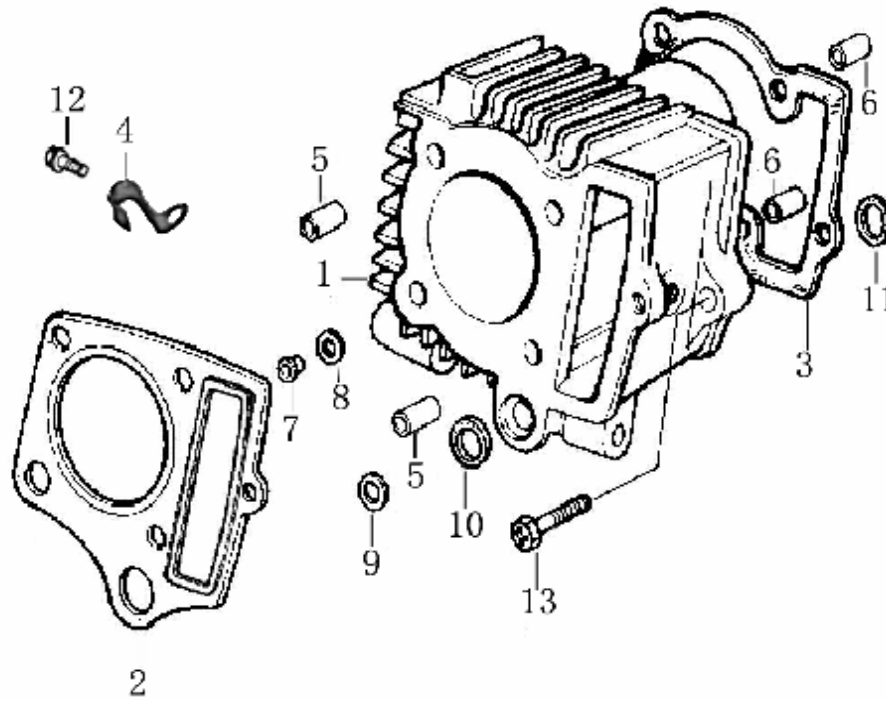


FIG..	PART NO.	DESCRIPTION	Q'TY	REMARKS	FIG..	PART NO.	DESCRIPTION	Q'TY
1	12100-FYBF-000	CYLINDER COMP	1		8	90715-FYBF-000	JOINT RING	1
2	12391-FYBF-000	GASKET CYLINDER HEAD	1		9	90828-FYBF-000	BUSH	1
3	12191-FYDBF-000	GASKET CYLINDER	1		10	90719-FYBF-00A	RECTANGLED JOINT RING	1
4	31126-FYBF-000	SETTLE CLIP	1		11	90719-FYBF-00B	RECTANGLED JOINT RING	1
5	96814-FYBF-000	PIN DOWEL 8*14	2		12	90118-FYBF-000	BOLT FLANGE M6*18	1
6	96812-FYBF-00	PIN DOWEL 8*12	2		13	90122-FYBF-000	BOLT	2
7	90834-FYBF-000	BUSH	1					

E-3 VALVE

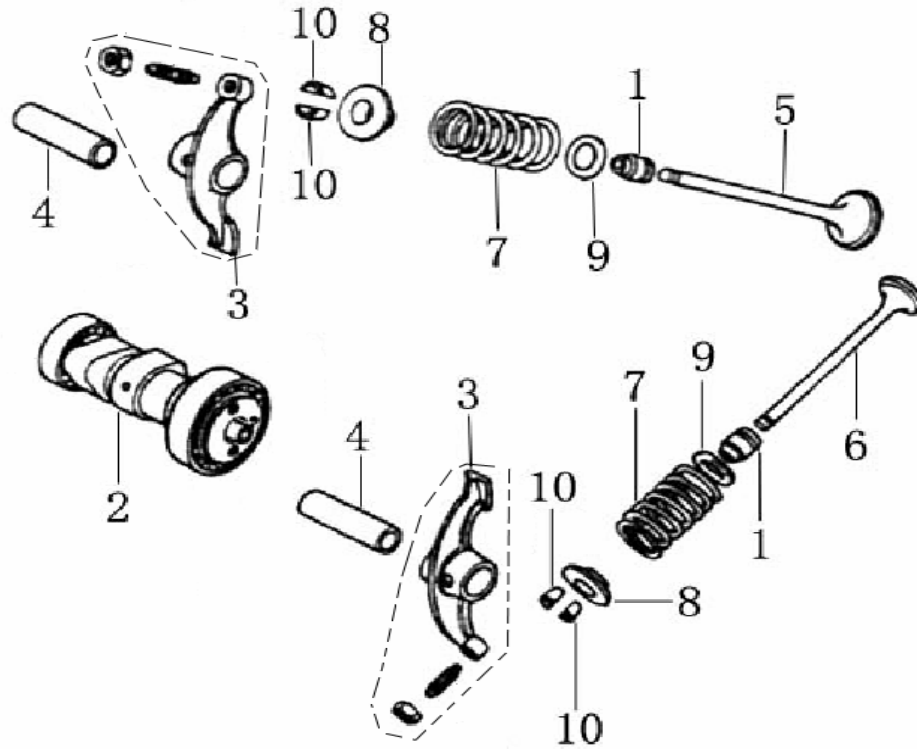


FIG..	PART NO.	DESCRIPTION	Q'TY	REMARKS	FIG..	PART NO.	DESCRIPTION	Q'TY
1	14790-FYBF-000	COTTER VAVLE	2		8	14771-FYBF-000	RET,VALVE SPRING	2
2	14100-FYBF-000	CAMSHAFT VAVLE	1		9	14775-FYBF-000	SEAT,VALVE SPRING	2
3	14120-FYBF-000	ARM VAVLE ROCKER	2		10	14781-FYBF-000	COTTER VAVLE	4
4	14130-FYBF-000	SHAFT ROCKER ARM	2					
5	147111-FYBF-000	VAVLE IN	1					
6	14721-FYBF-000	VAVLE EX	1					
7	14751-FYBF-000	SPRING VAVLE OUTER	2					

E-4 CAM CHAIN&TENSIONER

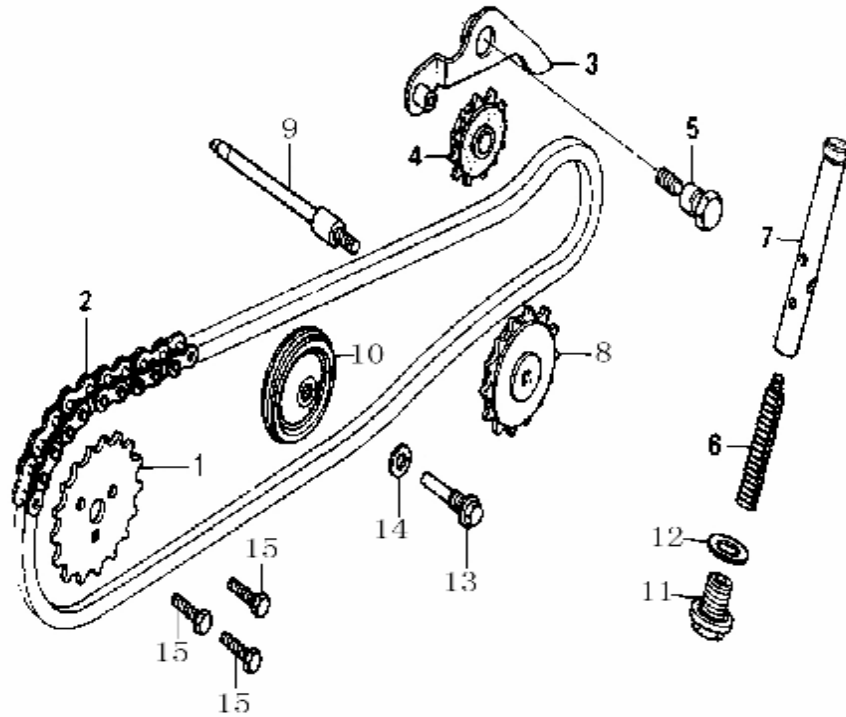


FIG..	PART NO.	DESCRIPTION	Q'TY	REMARKS	FIG..	PART NO.	DESCRIPTION	Q'TY
1	14200-FYBF-000	TIMING DRIVEN CHAIN WHEEL	1		8	15120-FYBF-000	CHAIN WHEEL FUEL PUMP DRIVE	1
2	14440-FYBF-000	ROLLER CHAIN BUSH	1		9	15110-FYBF-000	SHAFT CHAIN WHEEL FOR PUMP	1
3	14514-FYBF-000	ARM CHAIN TENSION	1		10	14640-FYBF-000	ROLL GUIDE ASSY	1
4	14610-FYBF-000	ROLL CHAIN TENSION	1		11	90114-FYBF-000	SEALING BOLT M12*14	1
5	14513-FYBF-000	SPINDLE CHAIN TENSION	1		12	90314-FYBF-000	WASHER 12	1
6	14515-FYBF-000	SPRING CHAIN TENSIONAL BAR	1		13	14615-FYBF-000	AXIS PIN ROLL GUIDE	1
7	14510-FYBF-000	TENSIONAL BAR ASSY	1		14	90309-FYBF-000	WASHER 8	1
					15	90105-FYBF-000	BOLT M5*12	3

E-5 CRANKCASE - OIL PUMP

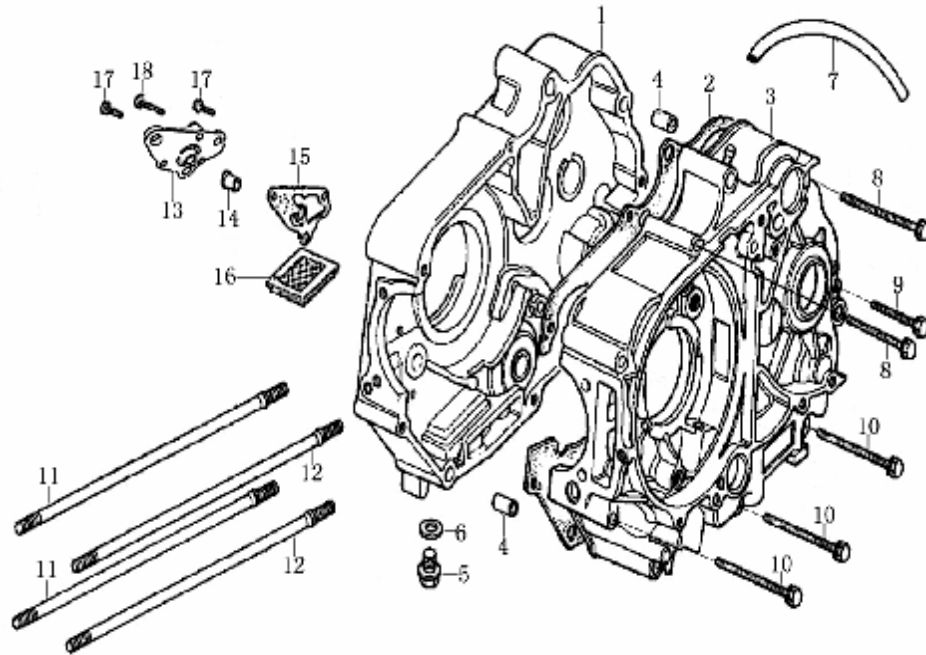


FIG..	PART NO.	DESCRIPTION	Q'TY	REMARKS	FIG..	PART NO.	DESCRIPTION	Q'TY
1	11100-FYBF-000	CRANKCASE ASSY R	1		10	90165-FYBF-000	BOLT FLANGE M6*65	3
2	11191-FYBF-000	GASKET CRANKCASE	1		11	90102-FYBF-000	CYLINDER BOLT STUD (A)	2
3	11210-FYBF-000	CRANKCASE L	1		12	90104-FYBF-000	CYLINDER BOLT STUD (B)	2
4	92402-FYBF-000	PIN DOWEL 10*14	2		13	15100-FYBF-000	PUMP ASSY OIL	1
5	90112-FYBF-000	BOLT DRAIN PLUG	1		14	15108-FYBF-000	BUSH OIL PUMP DRIVE	1
6	90312-FYBF-000	GASKET	1		15	15101-FYBF-000	GASKET PUMP OIL	1
7	11211-FYBF-000	BREATHER TUBE	1		16	15160-FYBF-000	SCREEN OIL FILTER ASSY	1
8	90160-FYBF-000	BOLT FLANGE M6*60	2		17	90616-FYBF-000	SCREW TAPPING M6x16	2
9	90150-FYBF-000	BOLT FLANGE M6*50	1		18	90117-FYBF-000	SCREW TAPPING M6x22	1

E-6 CRANKSHAFT LINK

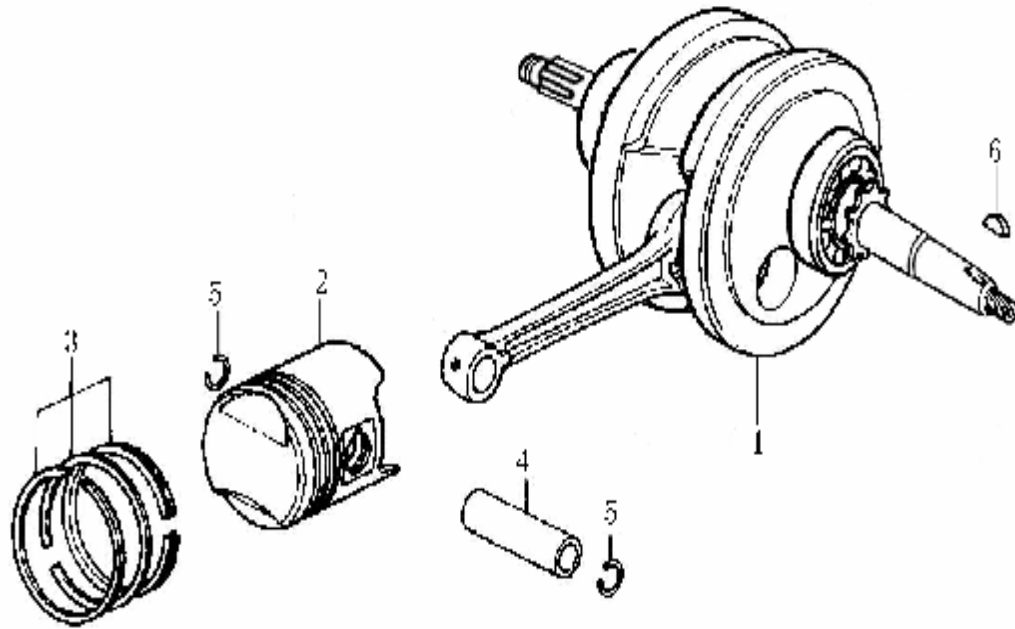


FIG..	PART NO.	DESCRIPTION	Q'TY	REMARKS	FIG..	PART NO.	DESCRIPTION	Q'TY
1	13000-FYBF-000	CRANKSHAFT COMP	1					
2	13101-FYBF-000	PISTON	1					
3	13120-FYBF-000	RING PISTON	1					
4	13111-FYBF-000	PIN PISTON	1					
5	13112-FYBF-000	CLIP PISTON PIN	2					
6	13005-FYBF-000	KEY WOODRUFF	1					

E-7 STARTING MOTOR

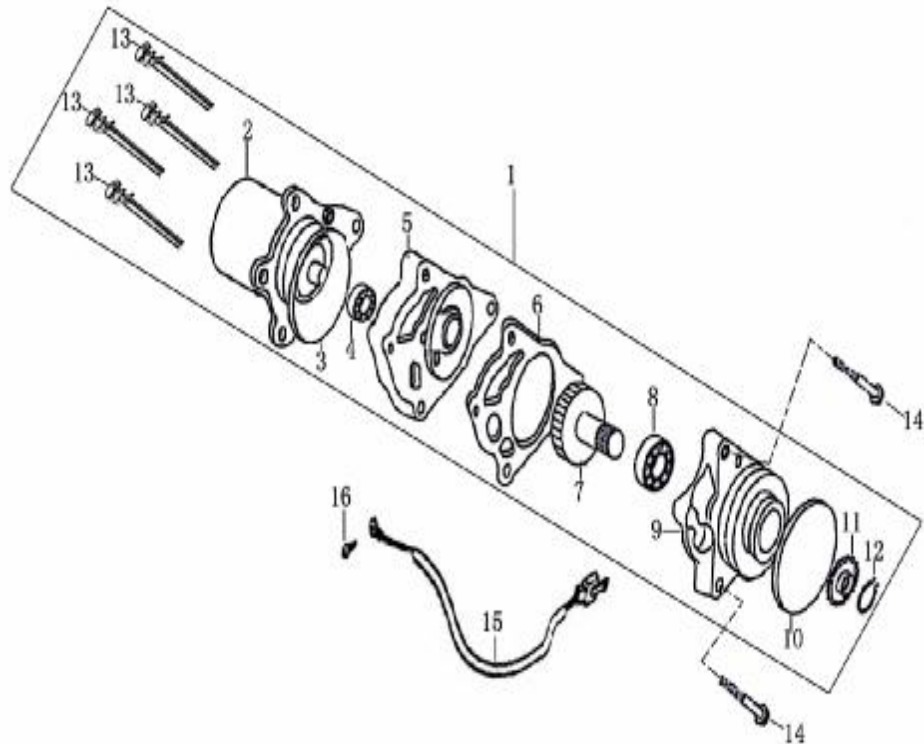


FIG..	PART NO.	DESCRIPTION	Q'TY	REMARKS	FIG..	PART NO.	DESCRIPTION	Q'TY
1	31200-FYBF-000	STARTING MOTOR ASSY	1		11	31230-FYBF-000	ELECTRICITY STARTING WHEEL	1
2	31203-FYBF-000	ELECTRICAL MACHINERY	1		12	31206-FYBF-000	CHECK RING	1
3	31208-FYBF-000	RUBBER RING	1		13	90130-FYBF-000	SCREW M5x32	4
4	31210-FYBF-000	BEARING 699Z	1		14	90125-FYBF-000	BOLT FLANGE M6x25	2
5	31209-FYBF-000	BRACKET	1		15	31207-FYBF-000	WIRE STARTING MOTOR	1
6	31205-FYBF-000	RUBBER WASHER	1		16	90106-FYBF-000	SCREW	1
7	31204-FYBF-000	GEAR ASSY	1					
8	31211-FYBF-000	BEARING 6001Z	1					
9	31201-FYBF-000	COVER END	1					
10	31202-FYBF-000	RUBBER RING	1					

E-8 SIDECOVER - MAGNETO

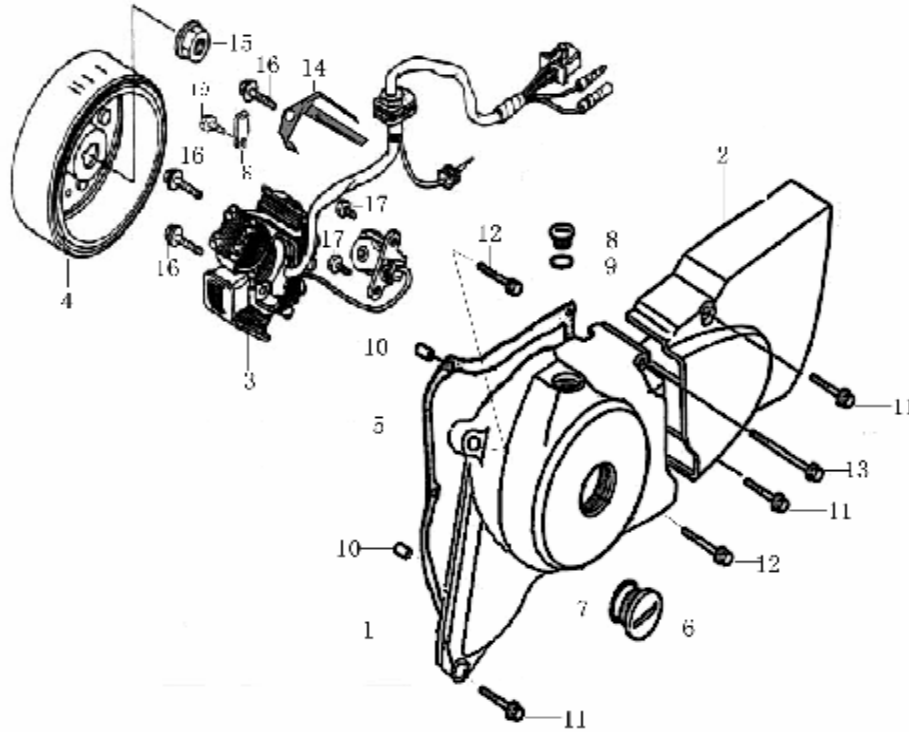


FIG..	PART NO.	DESCRIPTION	Q'TY	REMARKS	FIG..	PART NO.	DESCRIPTION	Q'TY
1	11300-FYBF-000	COVER FRONT LEFT	1		11	90125-FYBF-000	BOLT FLANGE M6*25	3
2	11362-FYBF-000	COVER FEAR LEFT	1		12	90170-FYBF-000	BOLT FLANGE M6*32	2
3	31120-FYBF-000	STATOR ASSY	1		13	90150-FYBF-000	BOLT FLANGE M6*50	1
4	31110-FYBF-000	ROTOR ASSY	1		14	96218-FYBF-000	PLATE	1
5	11495-FYBF-000	GASKET COVER FRONT LEFTL	1		15	90210-FYBF-000	NUT HEX M10x1.25	1
6	11446-FYBF-000	COVER SIGHT HOLE	1		16	90620-FYBF-000	SCREW TAPPING M6x20	3
7	90720-FYBF-000	O-RING GASKET	1		17	90516-FYBF-000	CROSS SCREW M5*16	2
8	11445-FYBF-000	COVER SIGHT HOLE UPPER	1		18	31117-FYBF-000	PLATE FIXING	1
9	90710-FYBF-000	O-RING GASKET UPPER	1		19	GB818-85-06005-B	SCREW TAPPING M6*5	1
10	92401-FYBF-000	PIN DOWEL M8*14	2					

E-9 ELECTRIC STARTING ASSY

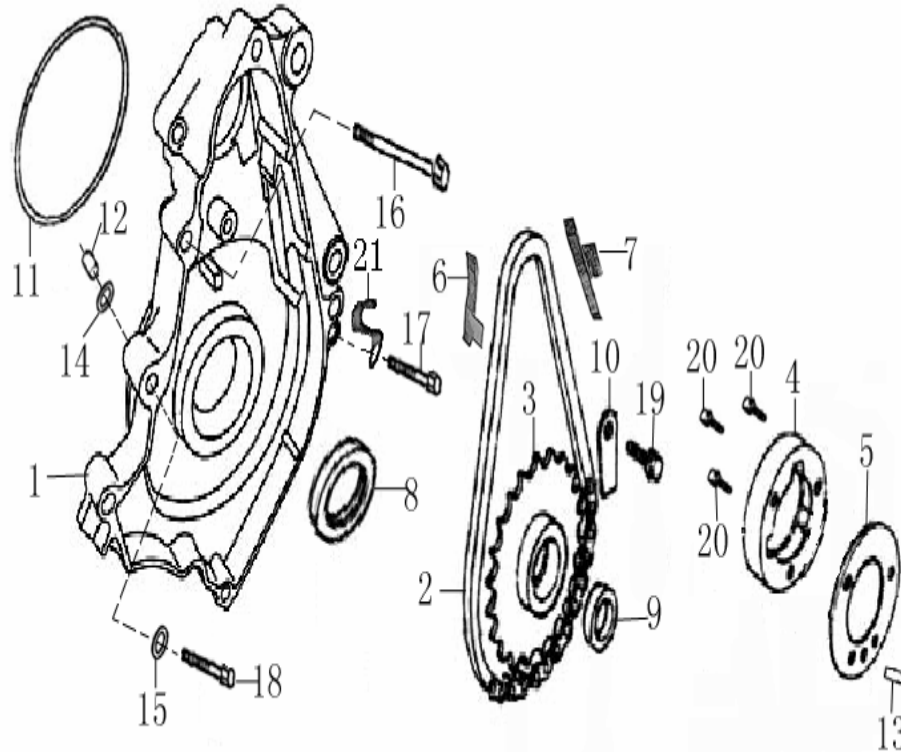


FIG..	PART NO.	DESCRIPTION	Q'TY	REMARKS	FIG..	PART NO.	DESCRIPTION	Q'TY
1	11251-FYBF-000	COVER	1		12	90801-08014-000	PIN DOWEL 8*14	1
2	28130-FYBF-000	DRIVING CHAIN	1		13	24304-FYBF-000	PIN DOWEL 5x12	1
3	28121-FYBF-000	DRIVEN WHEEL ASSY	1		14	90701-08002-000	SEAL RING 8*2	1
4	24311-FYBF-000	BODY CHECK ASSY	1		15	90313-FYBF-000	GASKET	1
5	24305-FYBF-000	WASHER CHECK	1		16	GB5787-85-06105-L	BOLT M6x105	1
6	14521-FYBF-000	TENSION PLATE CHAIN	1		17	GB5878-88-06025-L	BOLT M6x25	1
7	14522-FYBF-000	GUIDE PLATE CHAIN	1		18	GB5787-85-06035-L	BOLT M6x35	1
8	90830-FYBF-000	OIL SEAL 30x42x4.5	1		19	90612-FYBF-000	BOLT FLANGE M6*12	1
9	90818-FYBF-000	OIL SEAL 18.9*30.5	1		20	24312-FYBF-000	SCREW TAPPING 6x12	3
10	23802-FYBF-000	LIMITED PLATE	1		21	31127-FYBF-000	BRACKET	1
11	90707-FYBF-000	O-RING GASKET	1					

E-10 CRANKCASE COVER RIGHT

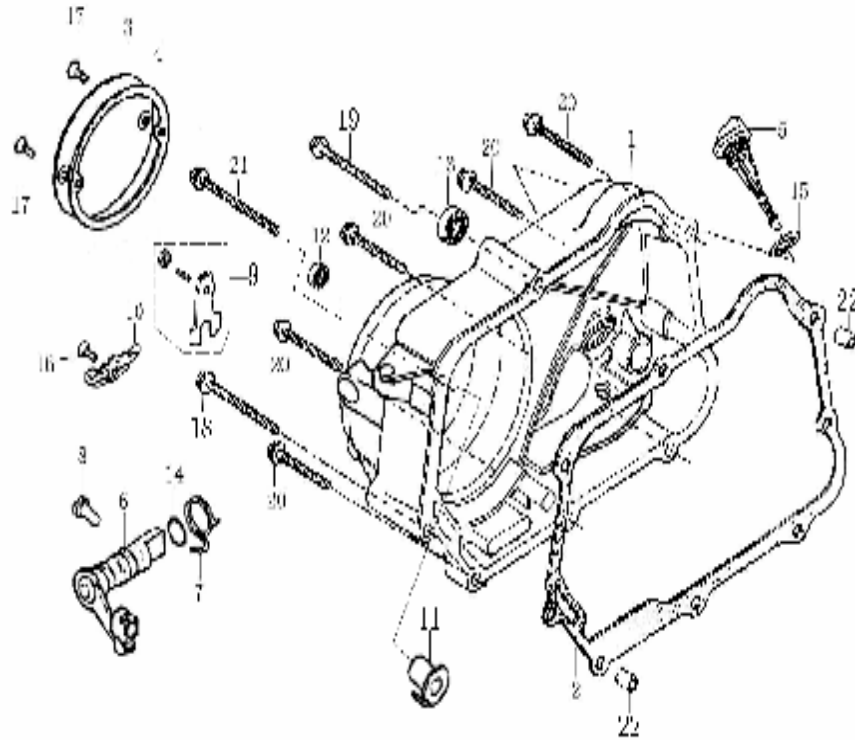


FIG..	PART NO.	DESCRIPTION	Q'TY	REMARKS	FIG..	PART NO.	DESCRIPTION	Q'TY
1	11400-FYBF-000	CRANKCASE COVER RIGHT	1		12	90812-FYBF-000	OIL SEAL 11*21*4	1
2	11393-FYBF-000	GASKET R CRANKCASE COVER	1		13	90814-FYBF-000	OIL SEAL 13.8*24*5	1
3	11447-FYBF-000	CLUTCH COVER	1		14	90711-FYBF-000	O-GASKET 14*1.5	1
4	11448-FYBF-000	GASKET CLUTCH COVER	1		15	90718-FYBF-000	O-RING GASKET 18*3.6	1
5	15155-FYBF-000	GAUGE OIL LEVER	1		16	90116-FYBF-000	SCREW TAPPING M6x16	1
6	21401-FYBF-000	CAM SHAFT CLUTCH ASSY	1		17	90512-FYBF-000	SCREW TAPPING M5x12	2
7	21416-FYBF-000	SPRING CAM SHAFT CLUTCH	1		18	90100-FYBF-000	BOLT FLANGE M6*55	
8	21411-FYBF-000	DOWEL PIN	1		19	90165-FYBF-000	BOLT FLANGE M6*65	1
9	21421-FYBF-000	SPREADER PLATE CLUTCH	1		20	90140-FYBF-000	BOLT FLANGE M6*40	5
10	21422-FYBF-000	PRESSURE PLATE CLUTCH	1		21	90155-FYBF-000	BOLT FLANGE M6*100	1
11	21451-FYBF-000	STEM CLUTCH LIFTER	1		22	96812-FYBF-000	PIN DOWEL	2

E-11 CLUTCH

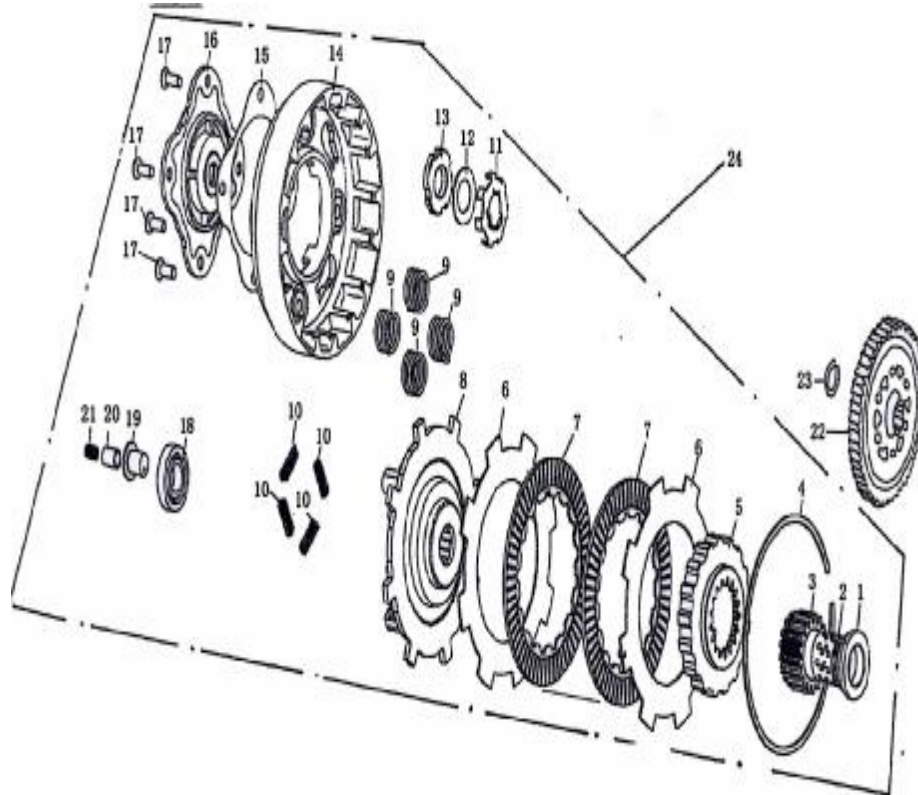


FIG..	PART NO.	DESCRIPTION	Q'TY	REMARKS	FIG..	PART NO.	DESCRIPTION	Q'TY
1	21014-FYBF-000	BUSH	1		12	15196-FYBF-000	DISH WASHER	1
2	21005-FYBF-000	BUSH	1		13	21023-FYBF-000	CHECK RING	1
3	21227-FYBF-000	DRIVING GEAR (18T)	1		14	21001-FYBF-000	COVER CLUTCH OUTER	1
4	21013-FYBF-000	SNAP RING	1					
5	22210-FYBF-000	OUTER COVER DIRIVING GEAR	1					
6	21007-FYBF-000	UNDER PLATE CLUTCH	2					
7	21006-FYBF-000	FRICION DISC CLUTCH	2					
8	21004-FYBF-000	OUTER COVER DRIVE GEAR	1					
9	21010-FYBF-000	SPRING CLUTCH	4					
10	21011-FYBF-000	DAMPING SPRING	4					
11	21306-FYBF-000	THRUST WASHER	1					

E-11 CLUTCH

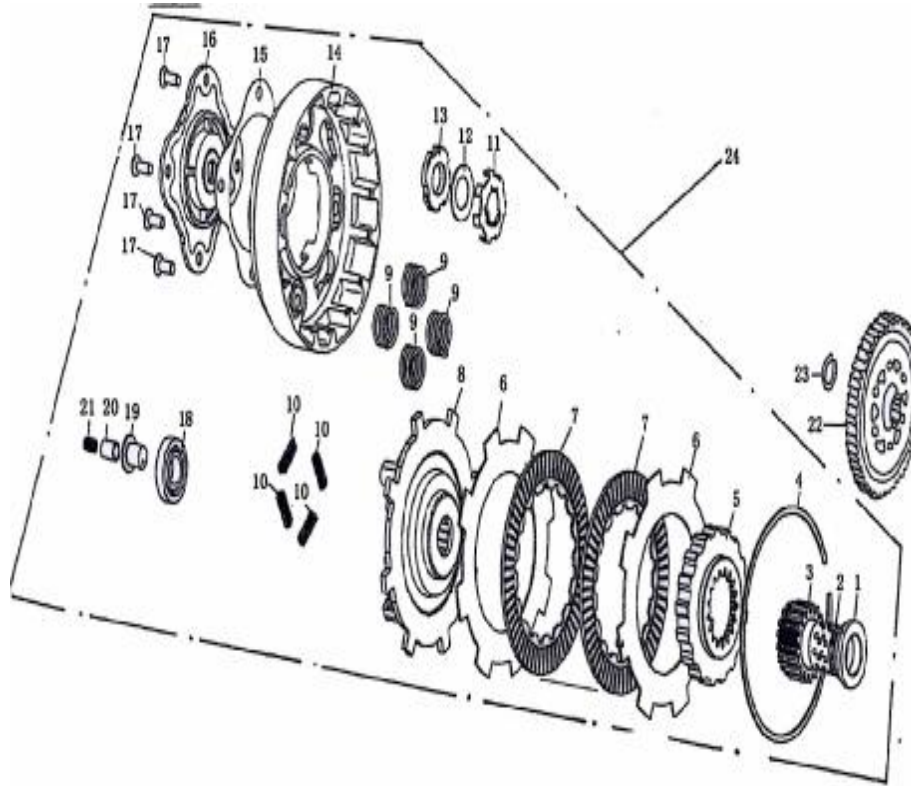


FIG..	PART NO.	DESCRIPTION	Q'TY	REMARKS	FIG..	PART NO.	DESCRIPTION	Q'TY
15	21003-FYBF-000	GASKET HEAD COVER	1					
16	21002-FYBF-000	HEAD COVER CLUTCH	1					
17	21012-FYBF-000	SCREW TAPPING	4					
18	90600-FYBF-000	BEARING 6000	1					
19	21022-FYBF-000	OIL THROUGH SLEEVE PIPE	1					
20	21235-FYBF-000	OIL THROUGH PIPE	1					
21	21234-FYBF-000	SPRING	1					
22	28210-FYBF-000	DRIVEN GEAR	1					
23	21023-FYBF-000	CHECK RING	1					

E-12 GEAR MECHANISM

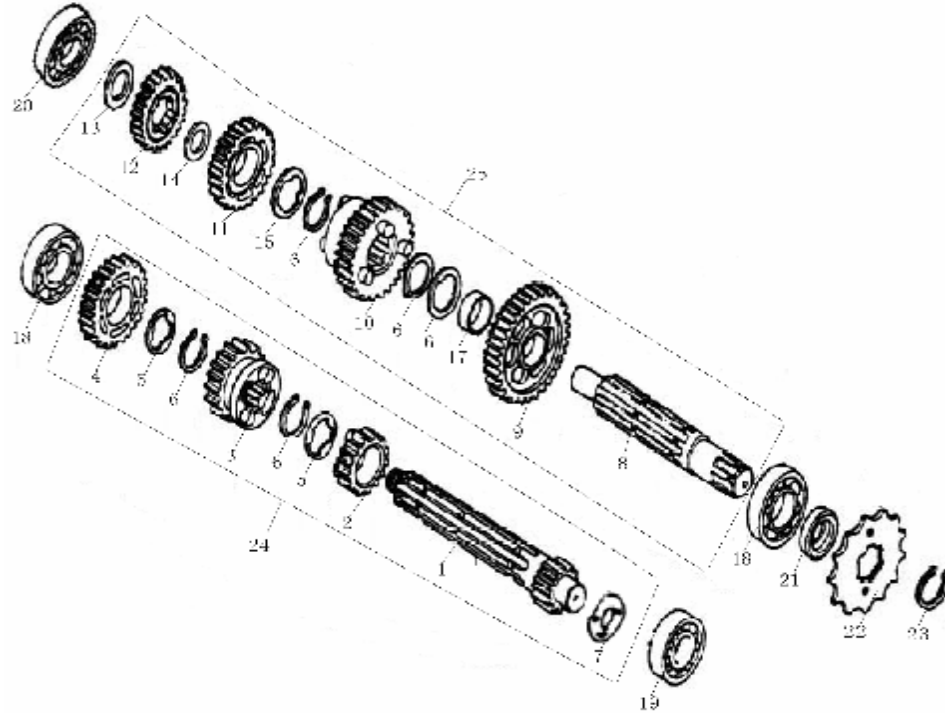


FIG..	PART NO.	DESCRIPTION	Q'TY	REMARKS	FIG..	PART NO.	DESCRIPTION	Q'TY
1	23501-FYBF-000	SHAFT DRIVE	1		11	23604-FYBF-000	GEAR 27T, 3ST WHEEL	1
2	23502-FYBF-000	GEAR 16T, 2ND PINION	1		12	23605-FYBF-000	GEAR 24T, 4ST WHEEL	1
3	23503-FYBF-000	GEAR 20T, 3ND PINION	1		13	23609-FYBF-000	WASHER	1
4	23504-FYBF-000	GEAR 23T,4ND PINION	1		14	23608-FYBF-000	WASHER	1
5	23505-FYBF-000	WASHER	1					
6	23506-FYBF-000	SPLINE GEAR DRIVEN	4					
7	23507-FYBF-000	SHIM	1					
8	23601-FYBF-000	DRIVE AXILE	1					
9	23602-FYBF-000	GEAR 36T, 1ST WHEEL	1					
10	23603-FYBF-000	GEAR 31T, 2ST WHEEL	1					

E-12 SPEED-DOWN MECHANISM

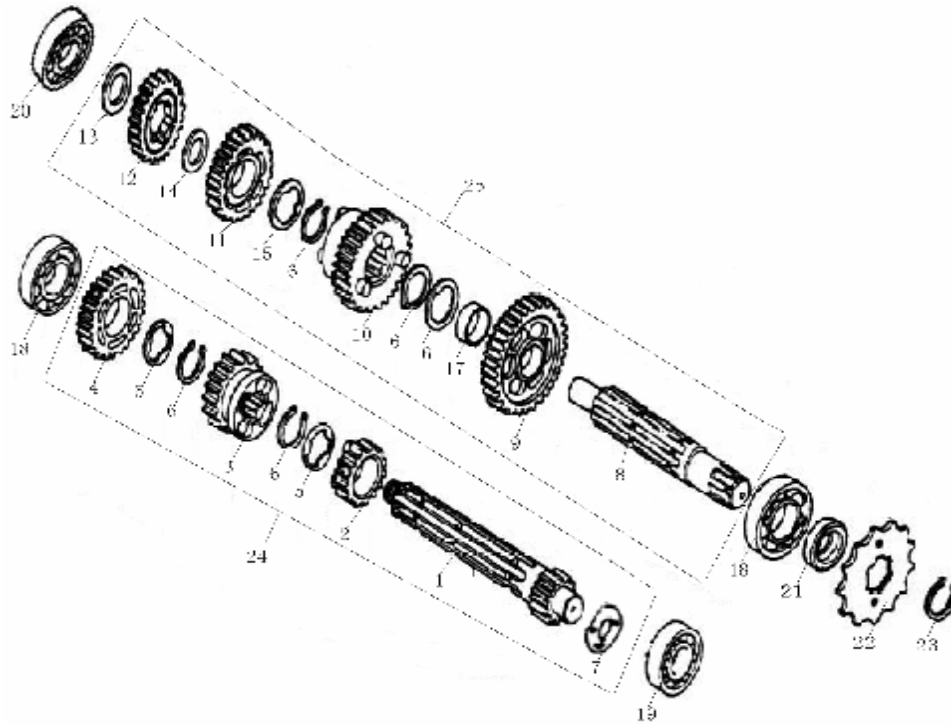


FIG..	PART NO.	DESCRIPTION	Q'TY	REMARKS	FIG..	PART NO.	DESCRIPTION	Q'TY
15	23611-FYBF-000	WASHER	1		22	23682-FYBF-000	SPROCKET 16T,DRIVE	1
16	23612-FYBF-000	WASHER	1		23	23508-FYBF-000	SPLINE GEAR DRIVEN	1
17	23607-FYBF-000	BUSH	1					
18	90923-FYBF-000	BEARING 6203	2					
19	90901-FYBF-000	BEARING 6001	1					
20	90921-FYBF-000	BEARING 6201	1					
21	90187-FYBF-000	OIL SEAL 17*29*5	1					

E-13 GEAR SHIFT SYSTEM

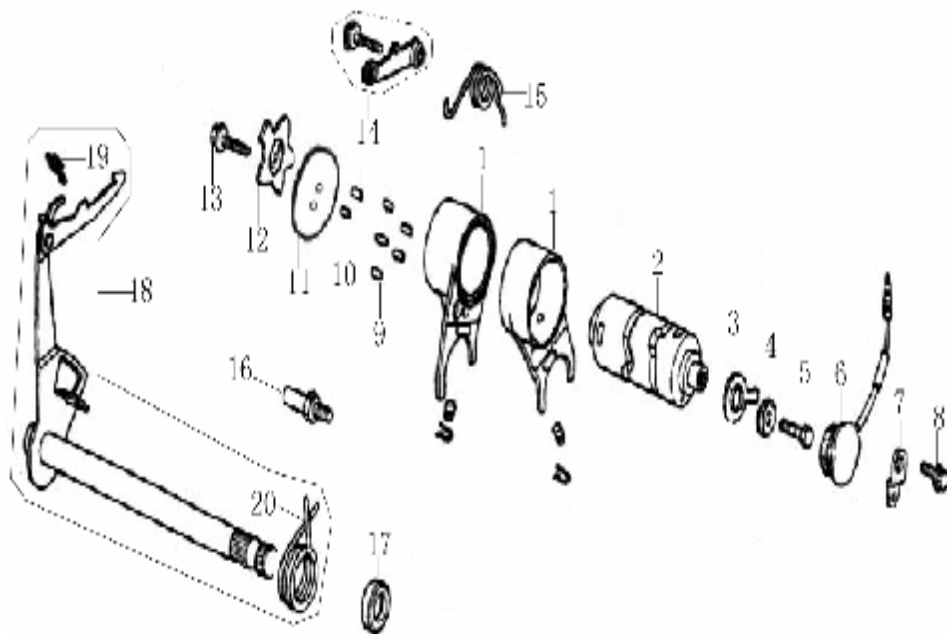


FIG..	PART NO.	DESCRIPTION	Q'TY	REMARKS	FIG..	PART NO.	DESCRIPTION	Q'TY
1	23742-FYBF-000	FORK SPREADER GEAR	2		11	23712-FYBF-000	SUPPORTER	1
2	23701-FYBF-000	DRUM VIRIABLE SPEED	1		12	23711-FYBF-000	SEGMENT	1
3	23707-FYBF-000	MOVING CONTACT	1		13	901120-FYBF-000	SCREW M6x20	1
4	23718-FYBF-000	SHIM	1		14	23730-FYBF-000	LOCKING PLATE DRUM	1
5	23714-FYBF-000	SOCKET BOLT M6x12	1		15	23731-FYBF-000	RETURN SPRING	1
6	31314-FYBF-000	CATCH SWITCH WIRING ASSY	1		16	23715-FYBF-000	BOLT LOCK	1
7	23706-FYBF-000	PRESSURE PLATE SWITCH	1		17	90811-FYBF-000	OIL SEAL 11.6*24*10	1
8	90112-FYBF-00B	BOLT FLANGE M6*12	1		18	23710-FYBF-000	GEAR SHIFT ASSY	1
9	23308-FYBF-000	PIN SCREW φ4x12.8	5		19	23713-FYBF-000	SPRING	1
10	23309-FYBF-000	PIN 3*9	2		20	27714-FYBF-000	RETURN SPRING	1

E-14 STARTING MECHANISM

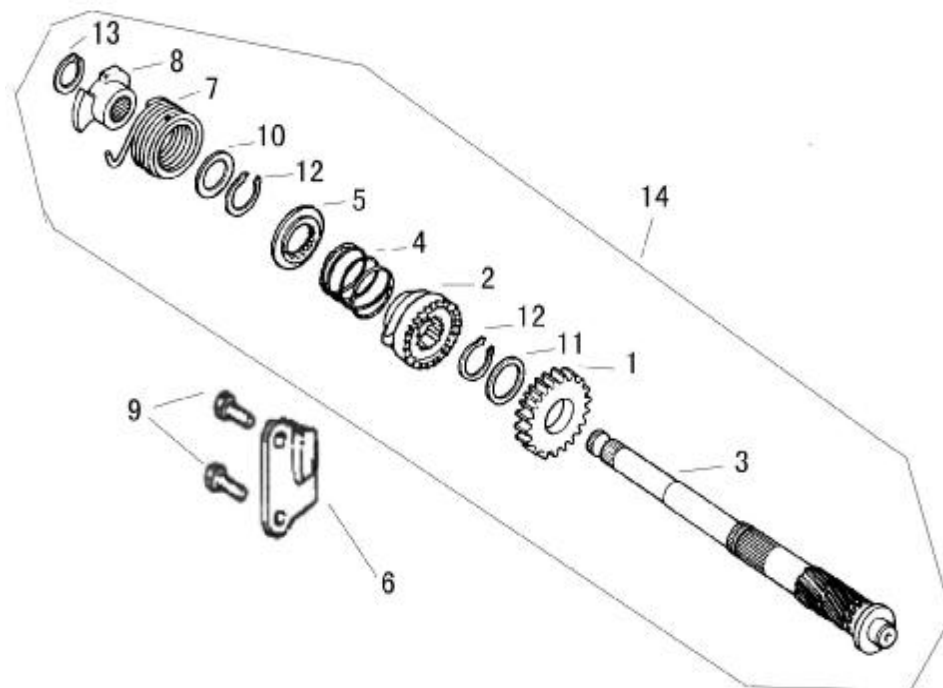


FIG..	PART NO.	DESCRIPTION	Q'TY	REMARKS	FIG..	PART NO.	DESCRIPTION	Q'TY
1	28101-FYBF-000	GEAR STARTING	1		8	28106-FYBF-000	SPRING SEAT SHAFT STARTING	1
2	28103-FYBF-000	RATCHET WHEEL	1		9	90120-FYBF-000	BOLT FLANGE M6x12	2
3	28107-FYBF-000	SHAFT STARTING	1		10	28109-FYBF-000	WASHER	1
4	28104-FYBF-000	SPRING	1		11	28112-FYBF-000	WASHER	1
5	28110-FYBF-000	SPRING SEAT RATCHET WHEEL	1		12	28111-FYBF-000	WASHER	2
6	28102-FYBF-000	GUIDE PLATE RATCHET WHEEL	1		13	28108-FYBF-000	WASHER	1
7	28105-FYBF-000	RETURN SPRING	1		14	28100-FYBF-000	KICK AXLE COMP	1

F01 Front Fender

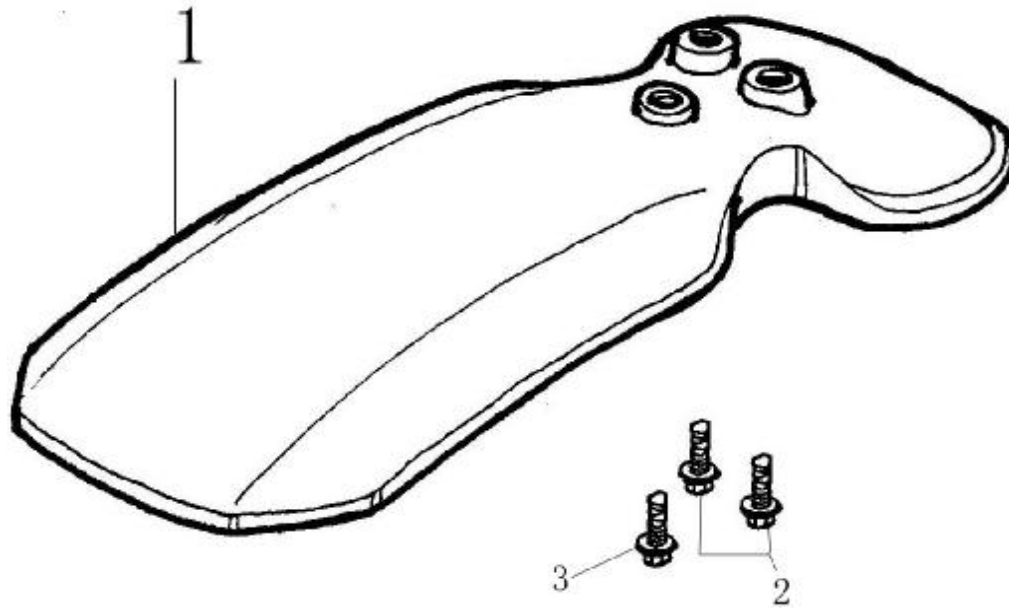


FIG..	PART NO.	DESCRIPTION	Q'TY	FIG..	PART NO.	DESCRIPTION	Q'TY
1	61100-FYFY2-00G/00R/0BI/00Y	FR. Fender	1				
2	90111-FYFY2-06015	Bolt M6×15	2				
3	GB5787-86-06012-B	Bolt M6×12	1				

F02 Seat & Side Cover

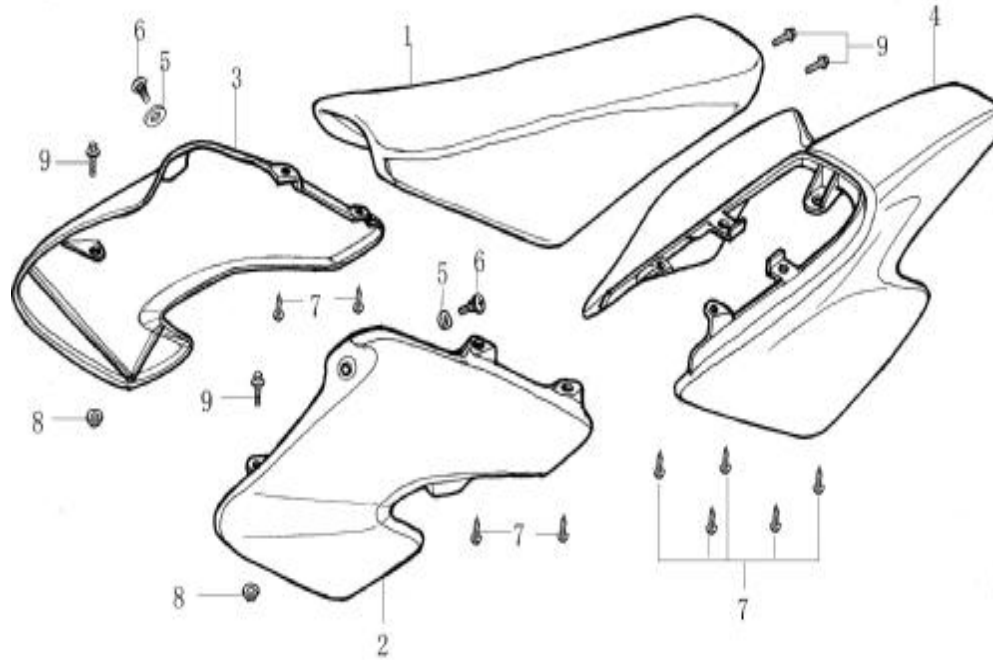


FIG..	PART NO.	DESCRIPTION	Q'TY	FIG..	PART NO.	DESCRIPTION	Q'TY
1	77200-FYFY2-000	Seat	1				
2	83620-FYFY2-00G/00R/0BI/00Y	L. Side Cover	1				
3	83520-FYFY2-00G/00R/0BI/00Y	R. Side Cover	1				
4	83710-FYFY2-00G/00R/0BI/00Y	RR. Fender	1				
5	50126-FYG-000	Gum Washer	2				
6	90111-FYFY2-05010	Screw	2				
7	GB845-85-48016-C	Screw ST4.8x16	9				
8	GB6177-86-06000-C	Nut M6	2				
9	GB5787-86-06012-B	Flange Bolt M6x12	4				

F03 Air Cleaner

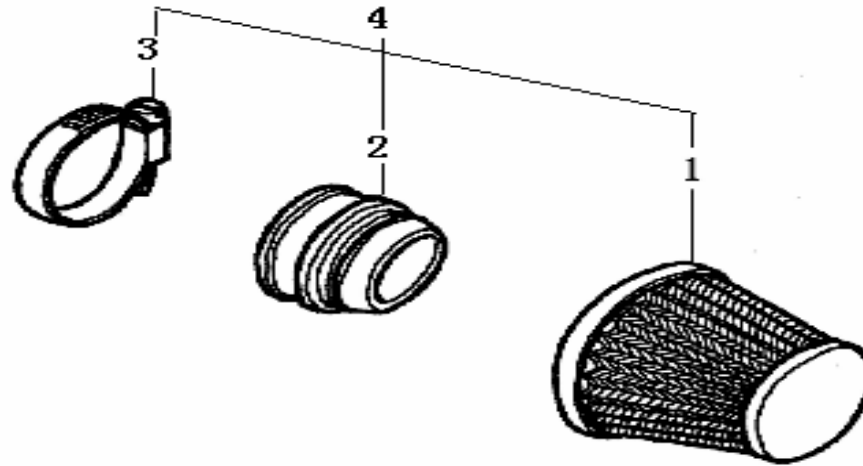


FIG..	PART NO.	DESCRIPTION	Q'TY	FIG..	PART NO.	DESCRIPTION	Q'TY
1	17211-FYFY2-000	Air Cleaner Body	1				
2	17212-FYFY2-000	Joint Pipe, Air Cleaner	1				
3	17213-FYFY2-000	Hoop	1				
4	17210-FYFY2-000		1				

F04 Fuel Tank

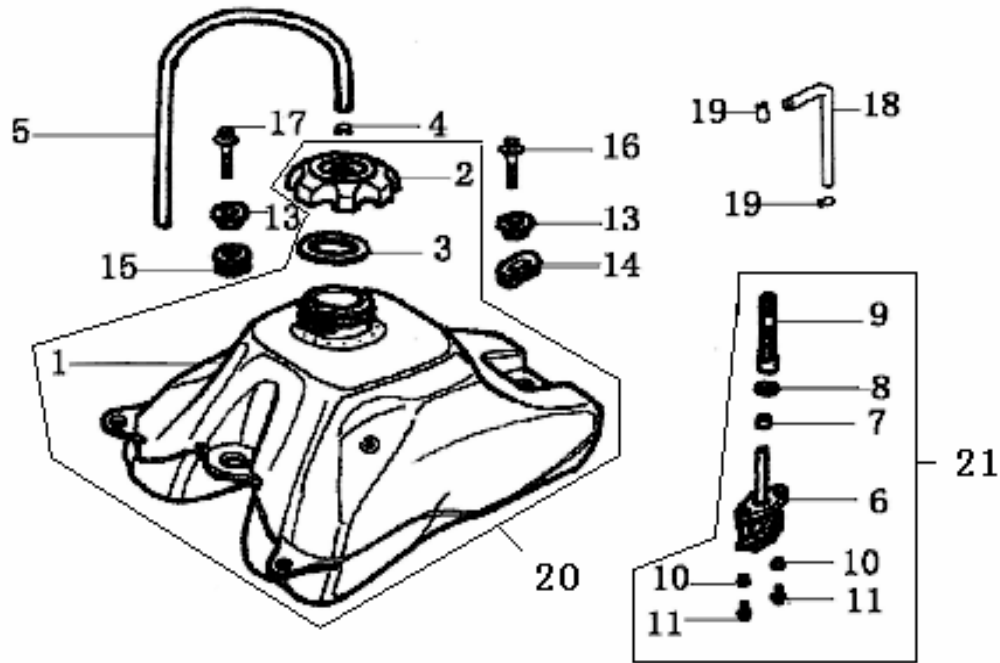


FIG..	PART NO.	DESCRIPTION	Q'TY	FIG..	PART NO.	DESCRIPTION	Q'TY
1	17501-FYFY2-000	Fuel Tank	1	15	17525-FYFY2-000	Gum Bush B	1
2	17502-FYFY2-000	Cap, Fuel Tank	1	16	GB5787-86-08035-C	Flange Bolt M8×35	1
3	17503-FYFY2-000	Seal Washer	1	17	GB5787-86-08045-C	Flange Bolt M8×45	1
4	91103-FYFY2-000	Clip, Pipe	1	18	91101-FYFY2-000	Fuel Pipe	1
5	91102-FYFY2-000	Gum Pipe	1	0	91102-FYFY2-000	Clip, Fuel Pipe	2
6	16951-FYFY2-000	Fuel Cock	1	20	17500-FYFY2-000	油箱总成	1
7	16952-FYFY2-000	Seal Washer A	1	21	16950-FYFY2-000	油阀开关总成	1
8	16953-FYFY2-000	Seal Washer B	1				
9	16954-FYFY2-000	Screen, Fuel	1				
10	16955-FYFY2-000	Bush	2				
11	GB5787-86-06016-C	Flange Bolt M6×16	2				
13	90387-081N1-00	Bush A	2				
14	17526-FYFY2-000	Gum Bush A	1				

F05 Handle Pipe

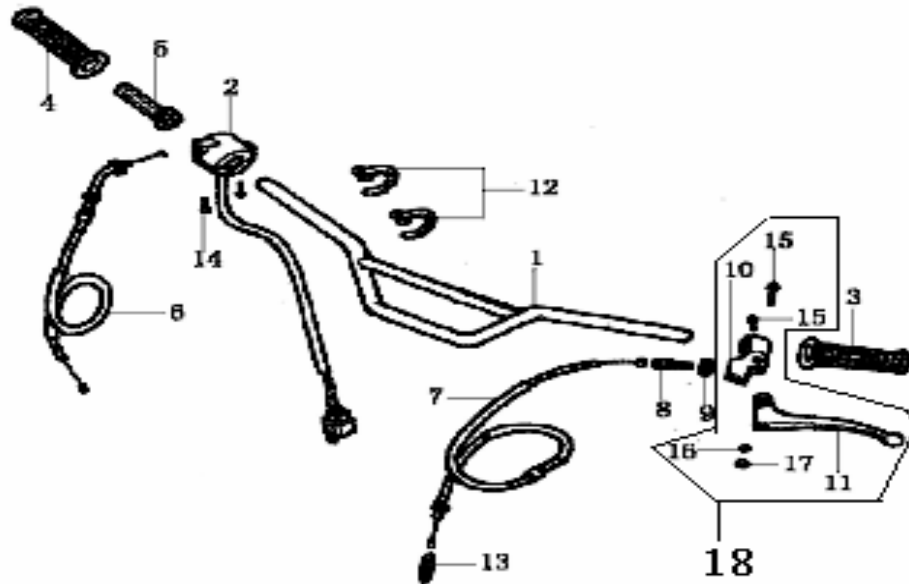


FIG..	PART NO.	DESCRIPTION	Q'TY	FIG..	PART NO.	DESCRIPTION	Q'TY
1	53100-FYFY2-000	Handle Pipe	1	14	GB818-85-05020-B	Screw M5×20	2
2	35100-FYFY2-000	R. Switch Comp. Handle	1	15	GB5787-86-06025-B	Bolt M6×25	2
3	53166-FYFY2-001	Grip, L. Handle	1	16	GB93-85-06000-B	Spring Washer 6	1
4	53142-FYFY2-000	Grip, R. Handle	1	17	GB6170-86-06000-B	Nut M6	1
5	53141-FYFY2-000	Throttle Core, R. Handle	1	18	53172-FYFY2-000	离合拉杆	1
6	17910-FYFY2-001	Cable, Throttle	1				
7	22870-FYFY2-000	Cable, Clutch	1				
8	22871-FYFY2-000	Adjusting Screw	1				
9	22872-FYFY2-000	Nut	1				
10	22873-FYFY2-000	Holder, Clutch Lever	1				
11	22874-FYFY2-000	Clutch Lever	1				
12	91165-FYFY2-000	Belting	2				
13	22875-FYFY2-000	Rubber Boot	1				

F06 Steering

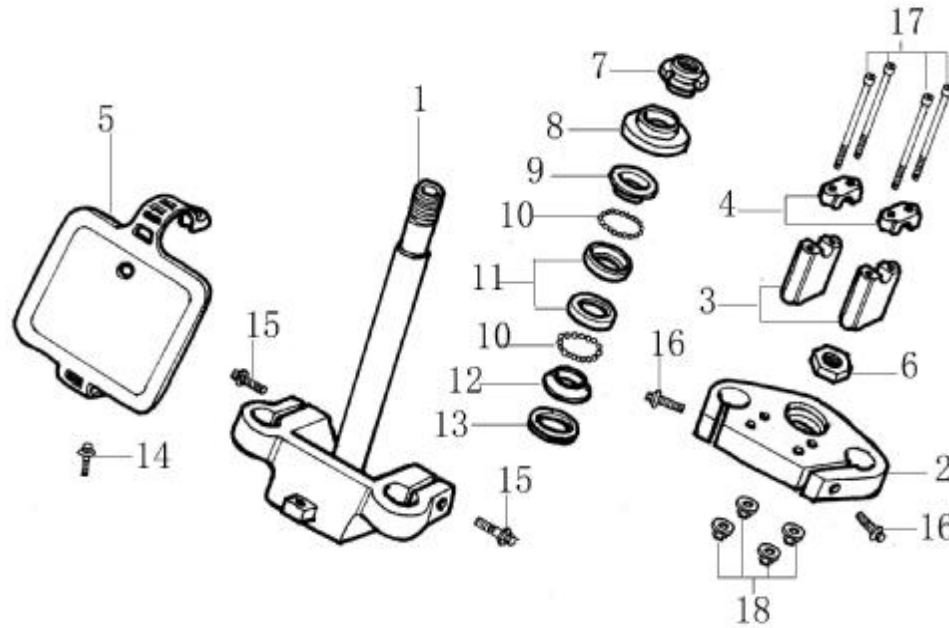


FIG..	PART NO.	DESCRIPTION	Q'TY	FIG..	PART NO.	DESCRIPTION	Q'TY
1	51000-FYFY2-000	Steering Column Comp.	1	13	53214-FYFY2-000	Dust Seal	1
2	53231-FYFY2-000	Upper Panel	1	14	GB5787-86-06012-C	Flange Bolt M6×12	1
3	53112-FYFY2-000	Lower Holder, Handle Pipe	2	15	GB5787-86-08025-C	Flange Bolt M8×25	2
4	53111-FYFY2-000	Upper Holder, Handle Pipe	2	16	GB5787-86-08035-C	Flange Bolt M8×35	2
5	83410-FYFY2-00G/00R/0BI/00Y	Front Cover	1	17	GB70-85-08114-C	Bolt M8×110	4
6	53221-FYFY2-000	Nut	1	18	GB6187-86-08000-C	Nut M8	4
7	53207-FYFY2-000	Adjusting Nut	1				
8	53215-FYFY2-000	Dust Cap	1				
9	53211-FYFY2-000	Upper Cone Race	1				
10	53210-FYFY2-000	Ball	2 Sets				
11	53201-FYFY2-000	Ball Race	2				
12	53212-FYFY2-000	Bottom Cone Race	1				

F07 Shock Absorber

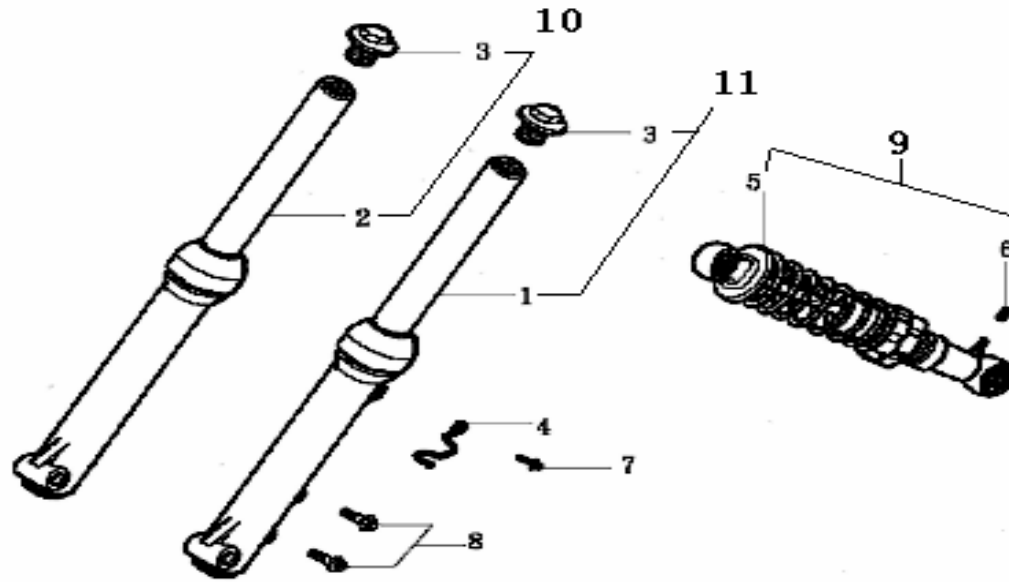


FIG..	PART NO.	DESCRIPTION	Q'TY	FIG..	PART NO.	DESCRIPTION	Q'TY
1	51510-FYFY2-000	FR. L. Shock Absorber	1				
2	51410-FYFY2-000	FR. R. Shock Absorber	1				
3	51511-FYFY2-000	Bolt	2				
4	45101-FYFY2-000	Holder, FR. Brake Pipe	1				
5	52410-FYFY2-000	RR. Shock Absorber	1				
6	52401-FYFY2-000	Rubber Cap	1				
7	GB5787-86-06012-C	Flange Bolt M6×12	1				
8	GB5787-86-08025-C	Flange Bolt M8×25	2				
9	52400-FYFY2-000		1				
10	51400-FYFY2-000		1				
11	51500-FYFY2-000		1				

F08 Front Wheel

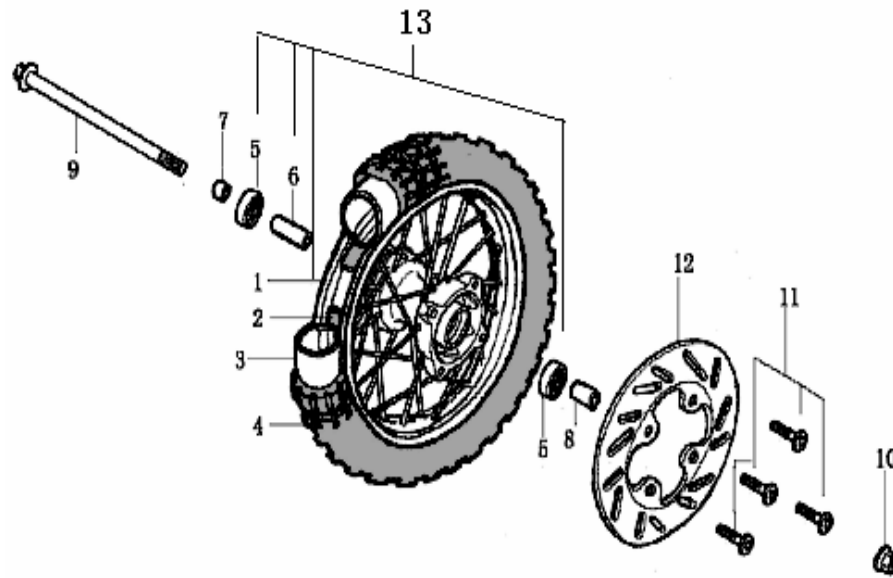


FIG..	PART NO.	DESCRIPTION	Q'TY	FIG..	PART NO.	DESCRIPTION	Q'TY
1	44651-FYFY2-000	FR. Wheel Rim Comp.	1				
2	42713-FYFY2-000	Flap, FR. Wheel	1				
3	42712-FYFY2-000	Inner Tire 2.50-10	1				
4	42711-FYFY2-000	Outer Tire 2.50-10	1				
5	44652-FYFY2-000	Bearing	2				
6	44653-FYFY2-000	Distance Collar	1				
7	44312-FYFY2-000	Bush A	1				
8	44313-FYFY2-000	Bush B	1				
9	44301-FYFY2-000	FR. Wheel Axle	1				
10	GB6187-86-12000-B	Grip Nut M12	1				
11	45353-FYFY2-000	Bolt	4				
12	45351-FYFY2-000	FR. Brake Disk	1				
13	44650-FYFY2-000		1				

F09 Font. hydraulic Bra

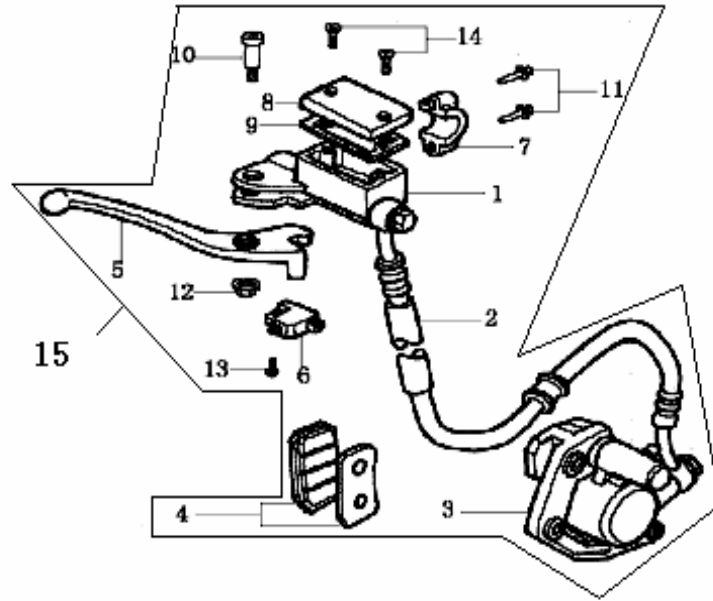


FIG..	PART NO.	DESCRIPTION	Q'TY	FIG..	PART NO.	DESCRIPTION	Q'TY	Q'TY
1	45101-FYFY2-000	Master Cylinder Body	1	14	GB818-85-04014-B	Screw M4×12	2	2
2	45102-FYFY2-000	Oil Pipe	1	15	45100-FYFY2-000	碟刹总成	1	1
3	45103-FYFY2-000	Brake Clamp Assy.	1					
4	45104-FYFY2-000	Friction Pad	2					
5	45105-FYFY2-000	FR. Brake Lever	1					
6	47111-FYFY2-000	前制动开关	1					
7	45106-FYFY2-000	Holder, Master Cylinder	1					
8	45107-FYFY2-000	Lid, Master Cylinder	1					
9	45108-FYFY2-000	Gasket	1					
10	45109-FYFY2-000	Fixing Bolt	1					
11	GB5787-86-06025-B	Bolt M6×25	2					
12	GB6187-86-06000-B	Nut M6	1					
13		螺丝	1					

F10 Rear Wheel

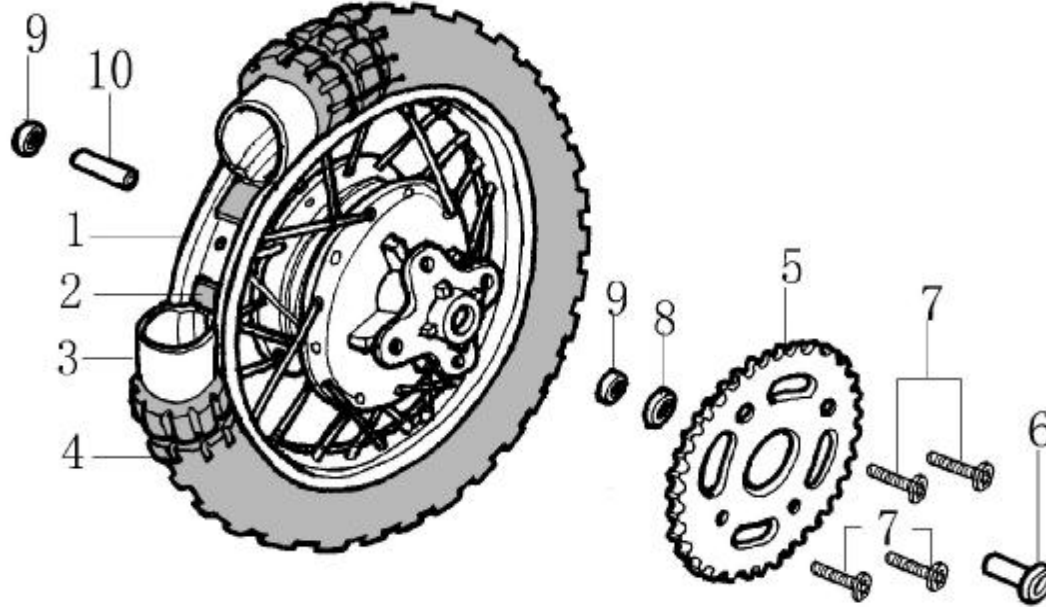


FIG..	PART NO.	DESCRIPTION	Q'TY	FIG..	PART NO.	DESCRIPTION	Q'TY
1	42650-FYFY2-000	RR. Wheel Rim Comp.	1				
2	42713-FYFY2-000	Flap, RR. Wheel	1				
3	42712-FYFY2-000	Inner Tire 2.50-10	1				
4	42711-FYFY2-000	Outer Tire 2.50-10	1				
5	41201-FYFY2-000	Sprocket Wheel	1				
6	42315-FYFY2-000	Bush	1				
7	90116-FYFY2-000	Socket Head Cap Bolt	4				
8	42652-FYFY2-000	Dust Seal	1				
9	42653-FYFY2-000	Bearing	2				
10	42654-FYFY2-000	Distance Collar	1				

F11 Rear Brake Assy.

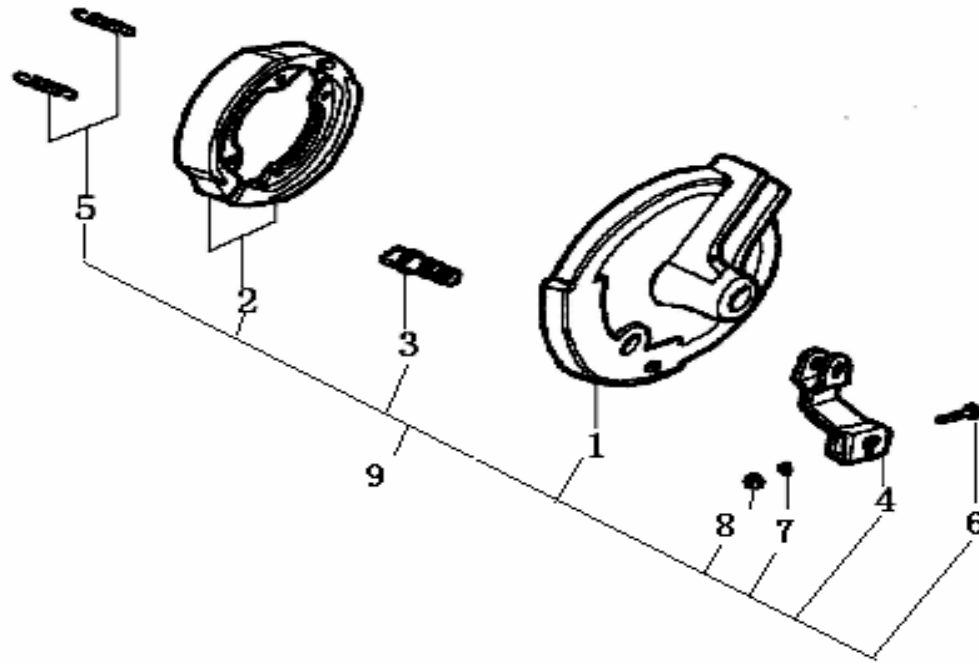


FIG..	PART NO.	DESCRIPTION	Q'TY	FIG..	PART NO.	DESCRIPTION	Q'TY
1	43103-FYFY2-000	Holder, Brake Shoes	1				
2	43102-FYFY2-000	RR. Brake Shoes	2				
3	43411-FYFY2-000	Camshaft	1				
4	43141-FYFY2-000	Arm, Camshaft	1				
5	43101-FYFY2-000	Spring	2				
6	GB5783-86-06032-B	Bolt, M6×32	1				
7	GB93-85-06000-B	Spring Washer 6	1				
8	GB6170-86-06000-B	Nut M6	1				
9	43100-FYFY2-000		1				

F12 Electric Unit

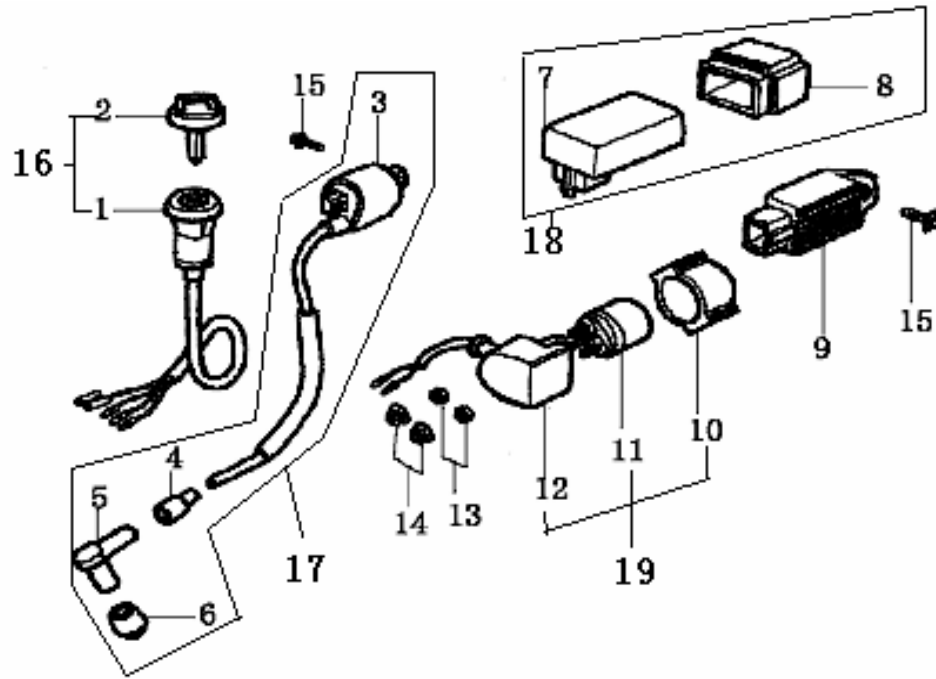


FIG..	PART NO.	DESCRIPTION	Q'TY	FIG..	PART NO.	DESCRIPTION	Q'TY
1	35002-FYFY2-000	Main Switch	1	14	GB6177-86-06000-C	Nut M6	2
2	35003-FYFY2-000	Key	2	15	GB5787-86-06020-C	Flange Bolt M6×20	2
3	30511-FYFY2-000	Ignition Coil	1	16	35001-FYFY2-000	主锁	1
4	30512-FYFY2-000	Boot A	1	17	30510-FYFY2-000	点火线圈	1
5	30513-FYFY2-000	Cap, Spark Plug	1	18	30410-FYFY2-000	C D I组件	1
6	30514-FYFY2-000	Boot B	1	19	35800-FYFY2-000	起动继电器	1
7	30410-FYFY2-000	C.D.I. Comp.	1				
8	30411-FYFY2-000	Boot, C.D.I.	1				
9	31600-FYG-000	Voltage Regulator	1				
10	35801-FYFY2-000	Boot, Starting Relay	1				
11	35802-FYFY2-000	Starting Relay	1				
12	35083-FYFY2-000	Cap, Starting Relay	1				
13	GB6170-86-06000-C	Nut M6	2				

F13 Footrest & Stand

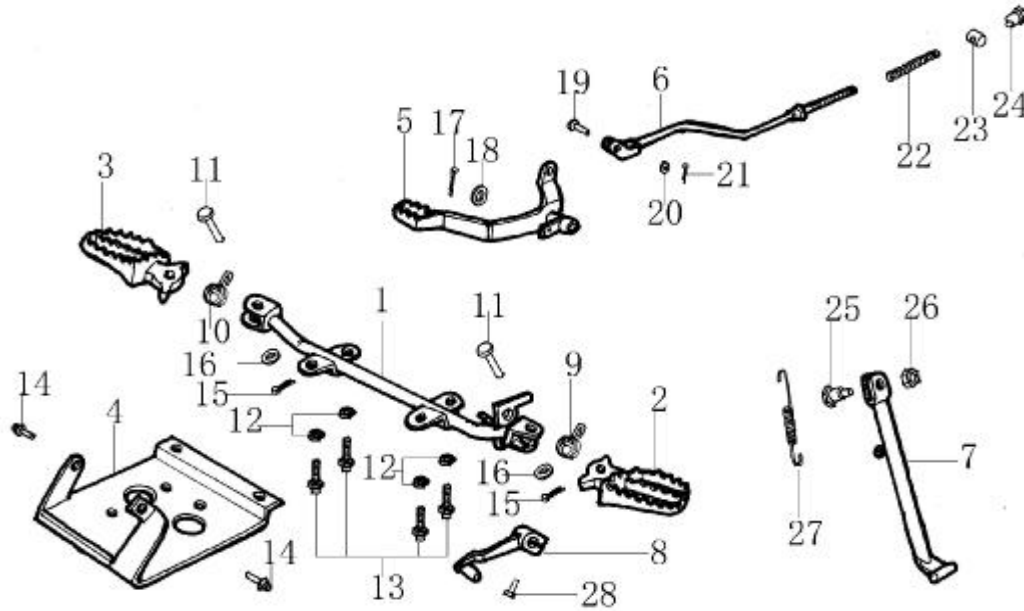


FIG..	PART NO.	DESCRIPTION	Q'TY	FIG..	PART NO.	DESCRIPTION	Q'TY
1	50610-FYFY2-000	Footrest Lever	1	15	GB91-85-16016-B	Split Pin 1.5×35	2
2	50710-FYFY2-000	Left Footrest	1	16	GB97.1-85-06000-B	Washer 6	1
3	50720-FYFY2-000	Right Footrest	1	17	GB91-85-32024-C	Split Pin 3×35	1
4	10101-FYFY2-000	Bottom Cover, Engine	1	18	43401-FY-000	Washer	1
5	43400-FYFY2-000	RR. Brake Pedal	1	19	43452-FYFY2-000	Axle Pin 6×16	1
6	43450-FYFY2-001	RR. Brake Lever	1	20	GB97.1-85-06000-B	Washer 6	1
7	50530-FY-000	Side Stand	1	21	GB91-85-16025-C	Split Pin 1.5×25	1
8	23400-FYFY2-001	Shifting Gear Pedal	1	22	43453-FYFY2-000	Spring	1
9	50711-FYFY2-000	L. Spring	1	23	43454-FYFY2-000	Pin, RR. Brake Lever	1
10	50712-FYFY2-000	R. Spring	1	24	43455-FYFY2-000	Adjusting Nut	1
11	50713-FYFY2-000	Axle Pin 8×40	2	25	90120-FY3-000	Location Bolt	1
12,13	GB9074.17-88-08020-C	Bolt Comp. M8×20	4	26	GB6170-86-10000-B	Nut M10	1
14	GB5787-86-06012-B	Bolt M6×12	2	27	50531-FYFY2-000	Spring	1

F13 Footrest & Stand

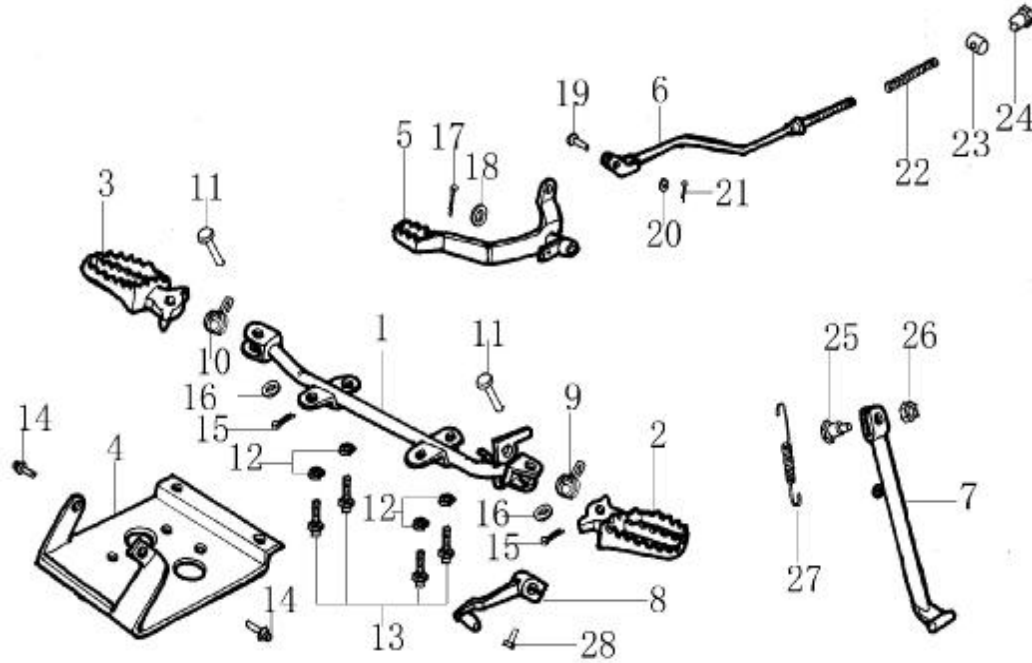


FIG..	PART NO.	DESCRIPTION	Q'TY	FIG..	PART NO.	DESCRIPTION	Q'TY
28	GB5787-86-06025-B	Bolt M6×25	1				

F14 Frame Body

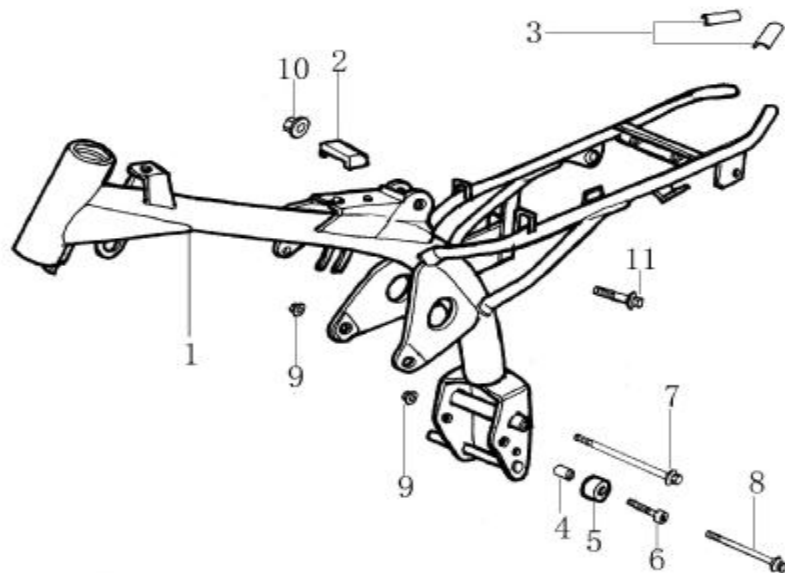


FIG..	PART NO.	DESCRIPTION	Q'TY	FIG..	PART NO.	DESCRIPTION	Q'TY
1	50100-FYFY2-000	Frame Body	1				
2	17508-FYFY2-000	Cushion A	1				
3	4TE-F0002-000	Cushion B	2				
4	41204-FYFY2-000	Bush	1				
5	41202-FYFY2-000	Block Comp., Chain	1				
6	GB70-85-08055-C	Bolt M8x55	1				
7	GB5783-86-08115-C	Bolt M8x115	1				
8	GB5783-86-08110-C	Bolt M8x110	1				
9	GB6187-86-08000-C	Nut M8	2				
10	GB6187-86-10000-C	Nut M10	1				
11	GB5787-86-10040-C	Bolt M10x40	1				

F15 Rear Fork

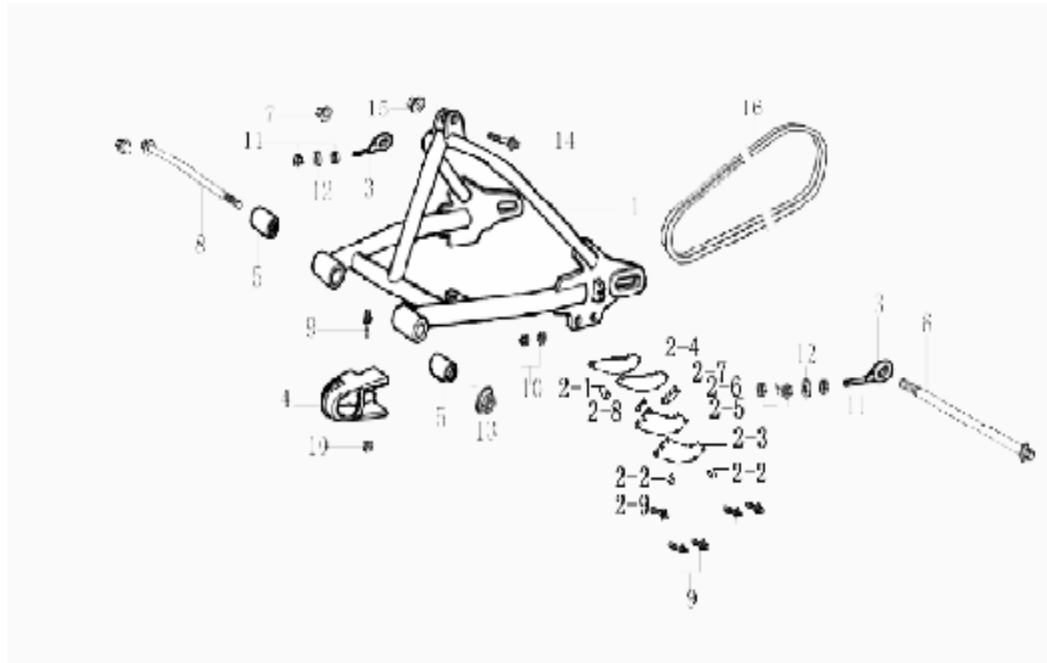


FIG..	PART NO.	DESCRIPTION	Q'TY	FIG..	PART NO.	DESCRIPTION	Q'TY
1	52100-FYFY2-000	RR. Fork	1	14	GB5787-86-10045-C	Flange Bolt M10×45	1
2	40511-FYFY2-000	Chain Guard Assy.	1	15	GB6187-86-10000-B	Grip Nut M10	1
3	40545-FYFY2-000	Chain Adjustor	2	16	GB1243.1-83-06B88	Chain	1
4	52107-FYFY2-000	Rubber Cushion	1	2-1	45012-FYFY2-000		1
5	52102-FYFY2-000	Bush	2	2-2	45013-FYFY2-000		2
6	42301-FYFY2-000	Axle, RR. Wheel	1	2-3	52109-FYFY2-000		1
7	GB6187-86-12000-B	Grip Nut M12	1	2-4	52109-FYFY2-001		1
8	90121-FYFY2-000	Axle, RR. Fork	1	2-5	52140-FYFY2-001		1
9	90111-FYFY2-06025-C	Bolt M6×25	3	2-6	52140-FYFY2-002		1
10	90109-FYFY2-000	内六角螺栓M6*50	3	2-7	52140-FYFY2-003		1
11	GB6170-86-06000-B	Nut M6	4	2-8	52142-FYFY2-000		1
12	GB97.1-85-06000-B	Washer 6	2	2-9	90108-FYFY2-000	Bolt M8*30	2
13	GB6187-86-10000-B	Grip Nut M10	1				

F16 Exhaust Muffler

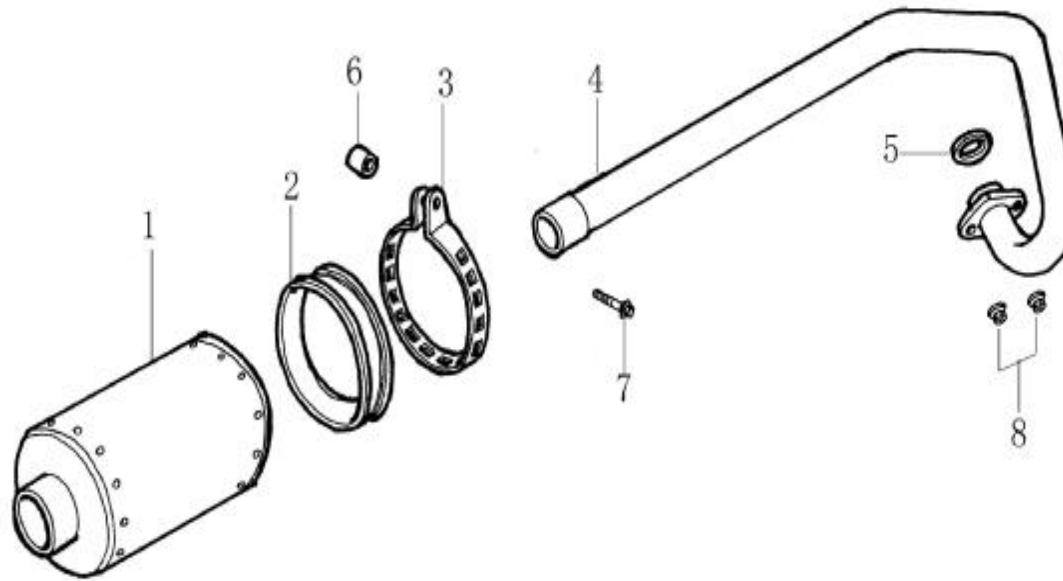


FIG..	PART NO.	DESCRIPTION	Q'TY	FIG..	PART NO.	DESCRIPTION	Q'TY
1	18201-FYFY2-000	Muffler	1				
2	18207-FYFY2-000	Ring Mat	1				
3	18208-FYFY2-000	Hoop	1				
4	18204-FYFY2-000	Exhaust Pipe	1				
5	18292-FYG-000	Seal Washer	1				
6	18206-FYFY2-000	Bush	1				
7	GB70-85-08050-C	Bolt M8x50	1				
8	GB6177-86-06000-B	Nut M6	2				

F17 Wire Harness

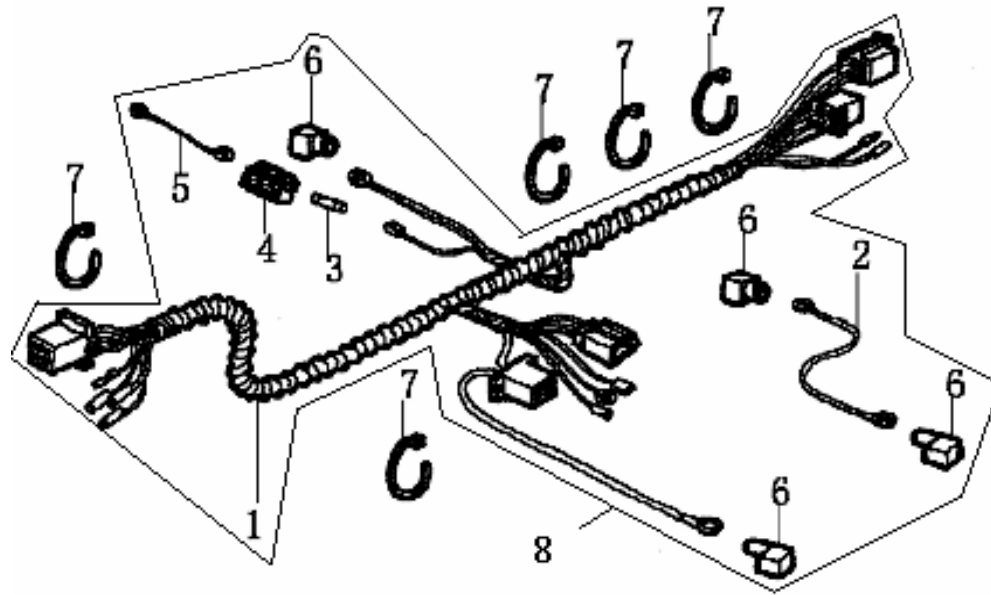


FIG..	PART NO.	DESCRIPTION	Q'TY	FIG..	PART NO.	DESCRIPTION	Q'TY
1	32121-FYFY2-000	Wire Harness	1				
2	32411-FYFY2-000	Cable Battery, Relay	1				
3	32122-FYFY2-000	Fuse	2				
4	32123-FYFY2-000	Fuse Case	1				
5	32124-FYFY2-000	Cable Battery	1				
6	32125-FYFY2-000	Boot	4				
7	91165-FYGT2-000	Band	5				
8	32120-FYFY2-000	主电缆	1				

F18 Battery

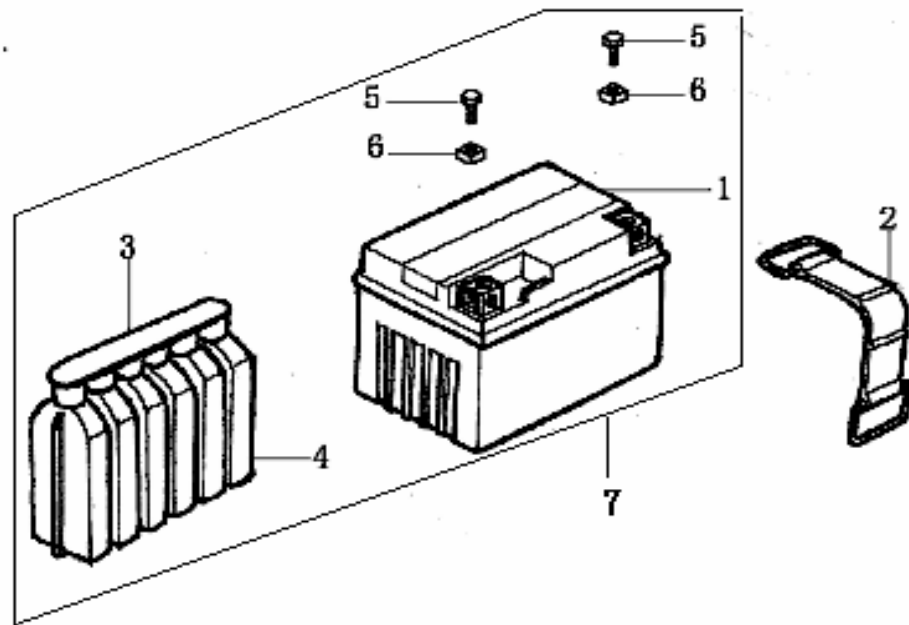


FIG..	PART NO.	DESCRIPTION	Q'TY	FIG..	PART NO.	DESCRIPTION	Q'TY
1	35101-FYFY2-000	Battery	1				
2	95012-FY2-000	Band, Battery	1				
3	35102-FYFY2-000	Seal Cap	1				
4	35103-FYFY2-000	Battery Electrolyte Bottle	1				
5	GB5787-86-05008-B	Bolt M5×8	2				
6	35104-FYFY2-000	Foursquare Nut M5	2				
7	31500-FYFY-000	蓄电池	1				

F19 Kit Tools

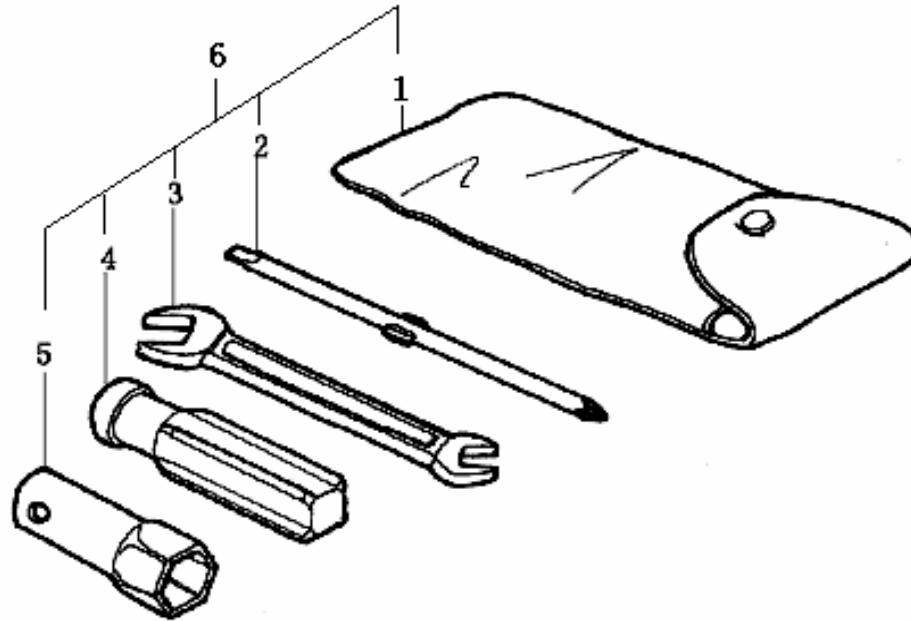


FIG..	PART NO.	DESCRIPTION	Q'TY	FIG..	PART NO.	DESCRIPTION	Q'TY
1	87011-FYFY2-000	Bag, Kit Tools	1				
2	87012-FYFY2-000	Driver	1				
3	87013-FYFY2-000	S Spanner	1				
4	87014-FYFY2-000	Handle, Driver	1				
5	87015-FYFY2-000	Sleeve, Spark Plug	1				
6	89010-FY-000	工具包	1				

F20 Label & Emblem



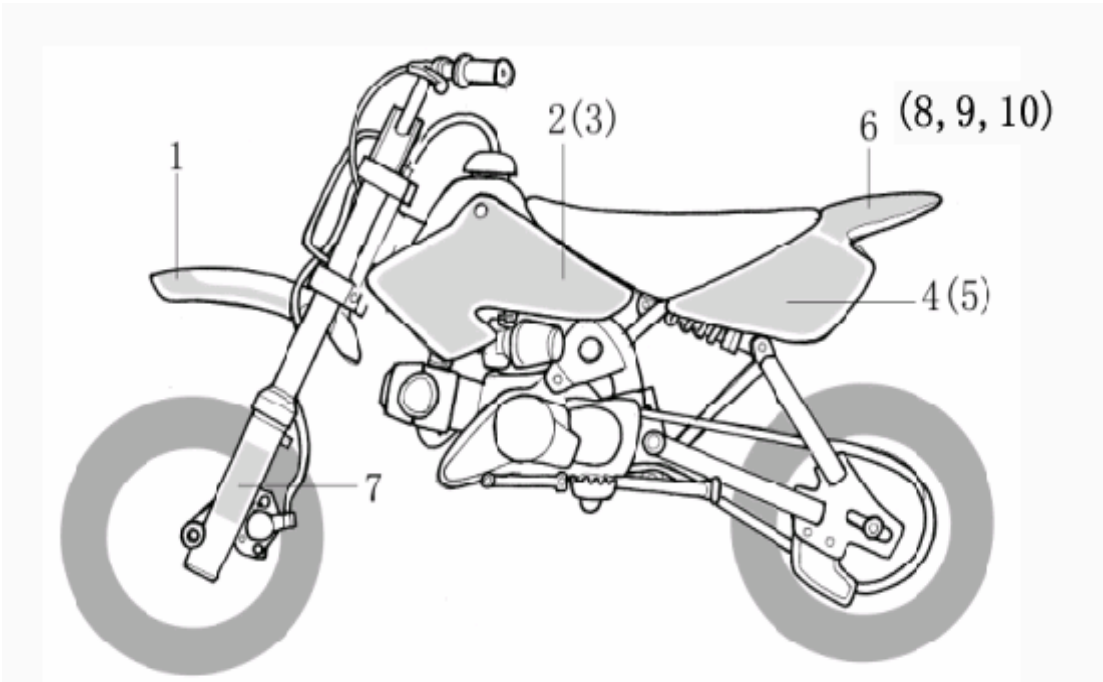


FIG..	PART NO.	DESCRIPTION	Q'TY	FIG..	PART NO.	DESCRIPTION	Q'TY
1	87537-FYFY2-000	Label, FR. Fender	1				
2	87532-FYFY2-000	Label, L. Side Cover	1				
3	87533-FYFY2-000	Label, R. Side Cover	1				
4	87534-FYFY2-000	L. Label, RR. Fender	1				
5	87535-FYFY2-000	R. Label, RR. Fender	1				
6	87536-FYFY2-000	RR. Label, RR. Fender	1				
7	87538-FYFY2-000	Label, FR. Shock Absorber	2				
8	87503-FYFY2-000		1				
9	87504-FYFY2-000		1				
10	87505-FYFY2-000		1				
11	87530-FYFY2-000		1				